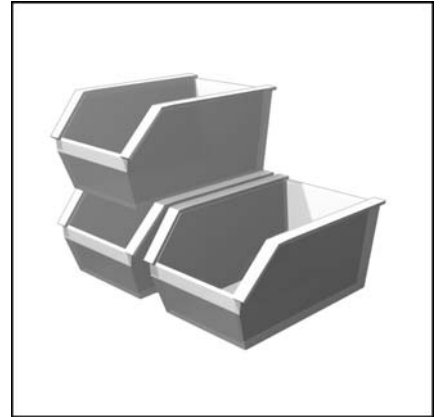


Spare Parts List R3456



This spare parts list has been made according to the latest production models. For articles not mentioned in this list, please contact the Rendamax Sales department with the boiler serial number and a part number and/or description of the article.

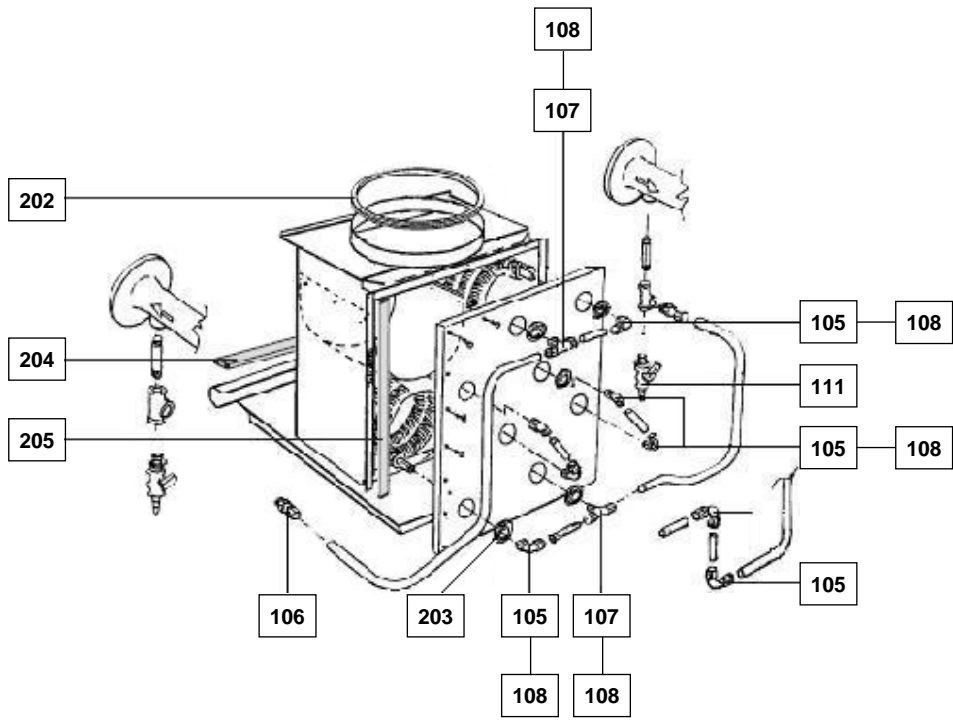
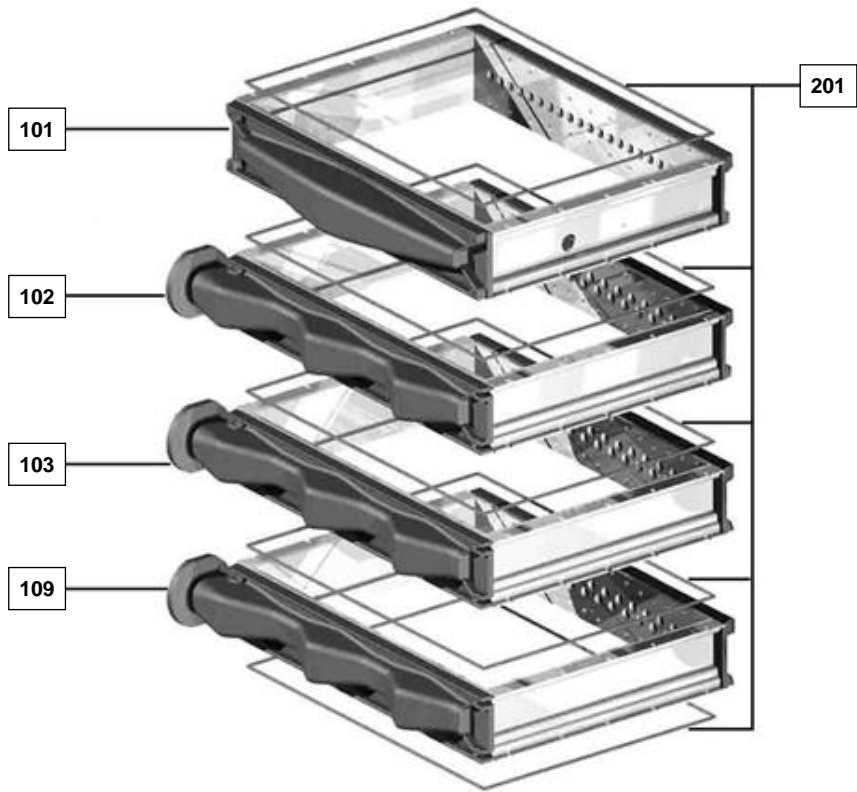
Edition 12-2008

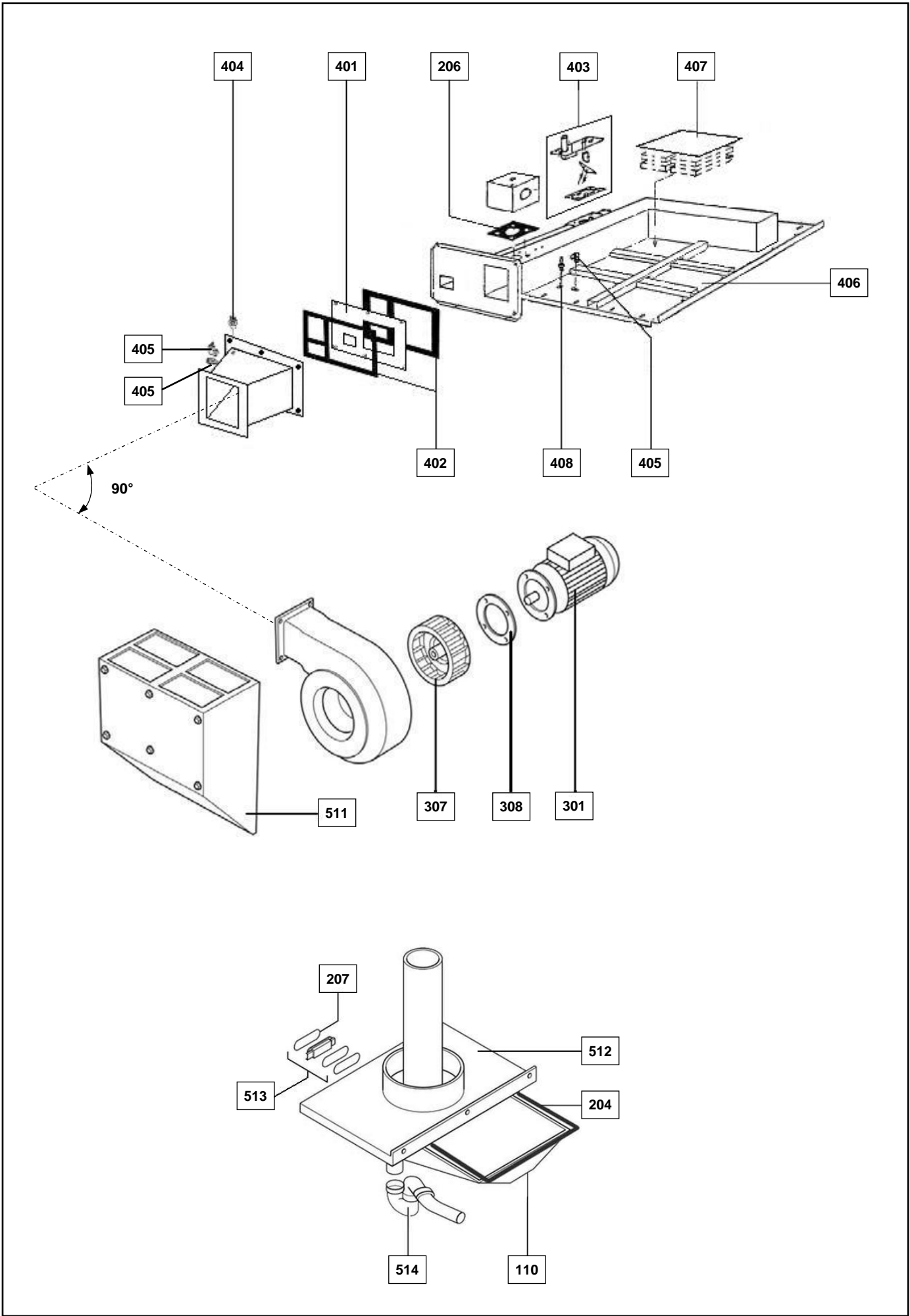
© 2008 Rendamax B.V.

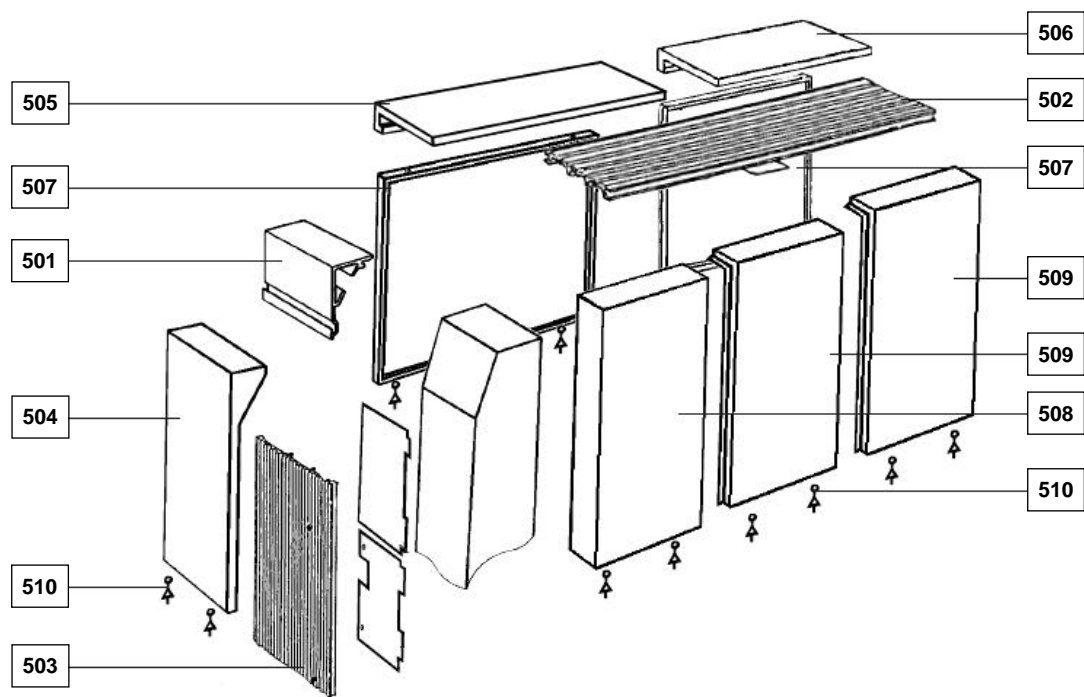
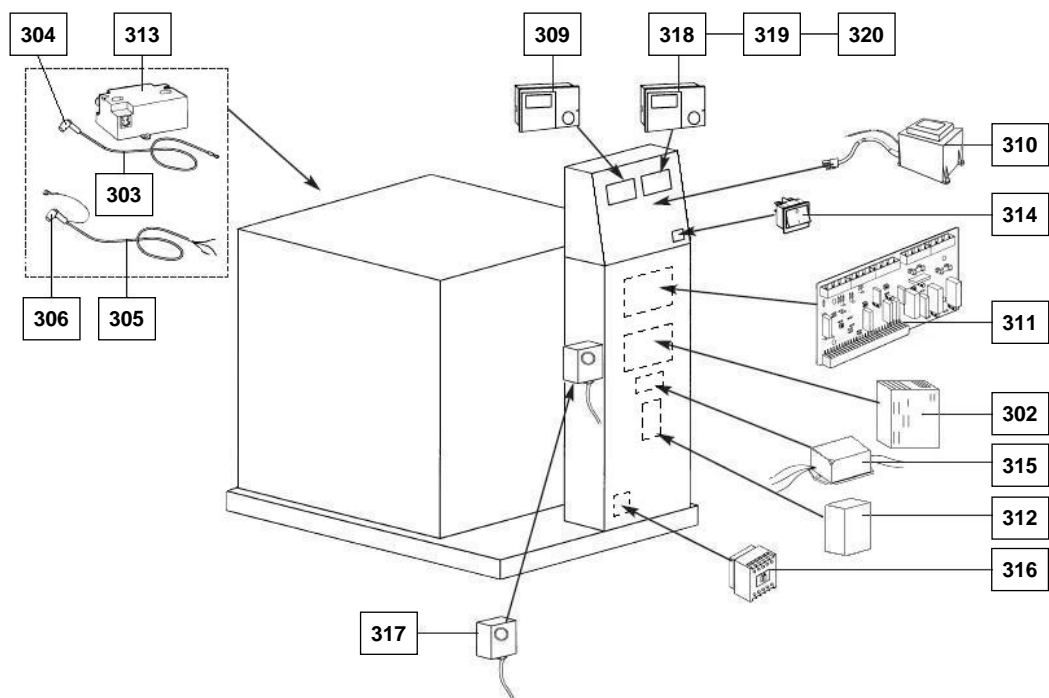
All rights reserved.

No part of this publication may be copied and/or published by means of printing, photocopying, microfilming, or by electronic means, on tape or in any other manner whatsoever without the prior permission of Rendamax B.V. in writing.

We are engaged in a constant effort to improve our products. As a result of this process, the products may deviate slightly from the descriptions contained in the present document. Rendamax B.V. accepts no liability whatsoever for differences between the products delivered and the information contained in the present document.







R3400 Heat Exchangers

Pos		R3401	R3402	R3403	R3404	R3405	R3406
101	Burner exchanger set	3401B1BDAS	3501B1BDAS	3502B1BDAS	3503B1BDAS	3504B1BDAS	3505B1BDAS
102	1 ST Heat exchanger set	3401W1WBAS	3501W1WBAS	3502W1WBAS	3503W1WBAS	3504W1WBAS	3505W1WBAS
103	2 ND Heat exchanger set	3401W2WBAS	3501W2WBAS	3502W2WBAS	3503W2WBAS	3504W2WBAS	3505W2WBAS

R3500 Heat Exchangers

Pos		R3501	R3502	R3503	R3504	R3505
101	Burner exchanger set	3501B1BDAS	3502B1BDAS	3503B1BDAS	3504B1BDAS	3505B1BDAS
102	1 ST Heat exchanger set	3501W1WBAS	3502W1WBAS	3503W1WBAS	3504W1WBAS	3505W1WBAS
103	2 ND Heat exchanger set	3501W2WBAS	3502W2WBAS	3503W2WBAS	3504W2WBAS	3505W2WBAS

R3600 Heat Exchangers & Parts

Pos		R3601	R3602	R3603	R3604	R3605
101	Burner exchanger set	3501B1BDAS	3502B1BDAS	3503B1BDAS	3504B1BDAS	3505B1BDAS
102	1 ST Heat exchanger set	3501W1WBAS	3502W1WBAS	3503W1WBAS	3504W1WBAS	3505W1WBAS
103	2 ND Heat exchanger set	3501W2WBAS	3502W2WBAS	3503W2WBAS	3504W2WBAS	3505W2WBAS
-	Condensor conversion kit for casing	3601R1AS	3602R1AS	3603R1AS	3604R1AS	3605R1AS
105	Brass elbow compression coupling 22mm	8x FKM215			10x FKM215	
106	Brass compression coupling 22mm x 1"	2x FKM205				
107	Brass compression T-coupling 22mm	2x FTM010			4x FTM010	
108	Brass compression coupling ring 22mm x 20mm	8x FVM005			12x FVM005	

R3600SB Heat Exchangers & Parts

Pos		R3600	R3601	R3602	R3603	R3604	R3605
101	Burner exchanger set SB	2809B1BDAS	3651B1BDAS	3652B1BDAS	3653B1BDAS	3654B1BDAS	3655B1BDAS
102	1 ST Heat exchanger set SB	2809W1WBAS	3501W1WBAS	3502W1WBAS	3503W1WBAS	3504W1WBAS	3505W1WBAS
103	2 ND Heat exchanger set SB	2809W2WBAS	3651W2WBAS	3652W2WBAS	3653W2WBAS	3654W2WBAS	3655W2WBAS
109	3 RD Heat exchanger set SB	2959W3WBAS	3651W3WBAS	3652W3WBAS	3653W3WBAS	3654W3WBAS	3655W3WBAS

Common Heat Exchanger Parts

Pos		R3401	R3600SB	R3402 R3501 R3601	R3403 R3502 R3602	R3404 R3503 R3603	R3405 R3504 R3604	R3406 R3505 R3605
-	Flow connection	Available only on request						
-	Return connection	Available only on request						
-	180° Bend	2804L103			GGL050A1			
-	Sensor pocket (brass)	RTP065						
110	Condensate tray end	2809R1A1AS	3501R1B1AS	3502R1B1AS	3503R1B1AS	3504R1B1AS	3501R1B1AS	
-	Gauge drain	RAK020						
-	Gauge pipe	DWS001						
111	Drain	RAK008						

Insulation, Gaskets & sealants

Pos		R3401	R3600SB	R3402 R3501 R3601	R3403 R3502 R3602	R3404 R3503 R3603	R3405 R3504 R3604	R3406 R3505 R3605
-	Ignition plug gasket	ARP271						
-	Burner/heat exchanger sealing kit complete	3401U2AS	2809U2AS	3501U2AS	3502U2AS	3503U2AS	3504U2AS	3505U2AS
201	Horizontal silicon tube sealing (5x For SB!!)	4x DSN058	5x DSN058	4x (5x) DSN059	4x (5x) DSN060	4x (5x) DSN061	4x (5x) DSN062	4x (5x) DSN063
-	Top plate sealing (rectangular flat)	3401M134	2809M119	3501M134	3502M134	3503M134	3504M134	3505M134
-	Condensate tray sealing (rectangular flat)	3401M134	2809M119	3501M134	3502M134	3503M134	3504M134	3505M134
202	Gas flue exhaust sealing	DSR080						
203	Pipe outlet seal (only R3600!!)	-		8x ASP020			12x ASP020	
-	Neoprene seal 12x3mm on 20m role (black)	ARP055						
204	Neoprene seal 25x3mm on 20m role (black) Condens tray	ARP060						
-	PTFE Seal 25x5mm on 25m role (white)	ARP062						
205	Neoprene seal 25x5mm on 20m role (black) Con-	ARP063						
-	Rubber foam used in burner & condenstray	3M DSR060						
-	Adhesive for DSR060 & DSR080	VLS020						
-	Ceramical blanket insulation (13x85x14.640mm)	GIK090						
-	Burner front insulation panel	3504B106	2809B109	3501B106	3502B106	3503B106	3504B106	3501B106
-	Burner back insulation panel	3504B109	2809B902	3501B109	3502B109	3503B109	3504B109	3501B109
-	Iso.board Ceraboard 100 for burner	4x GIB120						
-	Insulation blanket with alu. covering for heat exchangers	5M GIC040						
-	Side insulation first heat exch.	4x GIP011						
-	Front/back insulation first heat exch.	GIB105		GIB140	GIB085	GIB095	GIB105	GIB140
-	Fin tube insulation second heat exch.	GIP076		GIP076	GIP076	GIP076	GIP076	GIP076
-	Front insulation second heat exch.	GIB100	GIB100	GIB145	GIB080	GIB090	GIB100	GIB145
-	Back insulation second	3504W115	GIB100	3501W115	3502W115	3503W115	3504W115	3501W115

Insulation, Gaskets & sealants

Pos		R3401	R3600SB	R3402 R3501 R3601	R3403 R3502 R3602	R3404 R3503 R3603	R3405 R3504 R3604	R3406 R3505 R3605
-	Front/back insulation strip second heat exch.	2809W118		3501W116	3502W116	3503W116	3504W116	3501W116
-	Front/back insulation third heat exch. Only	-	GIB100	GIB145	GIB080	GIB090	GIB100	GIB145
-	Front/back insulation strip third heat exch.	-	2809W118	3501W116	3502W116	3503W116	3504W116	3501W116
-	Gasket Frenzelite 26-38 3/4"	ARP101						
-	Gasket for gas coupling Novapress 60-78-2mm	ARP105						
-	Gasket for 180° Bend Neoprene 55-100-3mm	-	-	-	-	ARP015 (only R3404!!)	ARP015	ARP015
-	Gasket for 180° Bend Neoprene 77-115-3 (also for 2804L103)	ARP020						
-	Gasket for 180° Bend Neoprene 84-131-3 (also for GGL050A1)	-	-	ARP070	ARP070	ARP070	ARP070	ARP070
-	Gasket Neoprene 58-95-3	-	-	ARP025 (only R3601!!)	-	-	-	-
-	Gasket Neoprene 70-120-3	-					ARP030	ARP030
206	Gasket for gas/air butterfly valve (all types)	ARP295	ARP285	ARP295				
207	Foil for inspection window PTFE	DME020						
-	Demon set	DE-MON2809A	-	DE-MON3501A	DE-MON3502A	DE-MON3503A	DE-MON3504A	DE-MON3505A
-	Demon set for R3600SB	-	DEMON2959A	DE-	DEMON3652	DEMON3653A	DEMON3654A	DEMON3655A
-	Silicon kit transparent	VKS001						
-	Acid free high temp. Kit	VKS005						
-	Omnivisc 1050	VLS003						
-	Permabond A131200	VLS050						
-	Permabond A1044	VLS058						
-	Gluecon	VLC002						
-	Alu. Tape	DTA005						
-	Neutralisation granulate (10kg)	DDD020						
-	Indicator paper for neutralisation device	VCH020						

R3400 Electrical Parts

Pos		R3401	R3402	R3403	R3404	R3405	R3406
301	Fan motor	MVC120AS		MVC128AS			
302	Frequency converter	ETF025AS		ETF030AS			
307	Impeller	SVC170				SVC180	

R3500/R3600 Electrical Parts

Pos		R3600SB	R3501 R3601	R3502 R3602	R3503 R3603	R3504 R3604	R3505 R3605
301	Fan motor	MVC120AS			MVC128AS		
302	Frequency converter	ETF024AS	ETF025AS		ETF030AS		
307	Impeller	SVC140	SVC170			SVC180	

Common Electrical Parts

Pos		R3401	R3600SB	R3402 R3501 R3601	R3403 R3502 R3602	R3404 R3503 R3603	R3405 R3504 R3604	R3406 R3505 R3605
-	Ignition plug	REE160						
-	Ignition plug with gas-kets en screws	REE160BS						
-	Ionisation plug	REE130						
-	Threaded bush for REE130 (M14)	BSS030						
303	Ignition cable complete	ESB020						
304	Ignition plug cap	EVD003						
305	Ionisation cable comple-	EVD001ES						
306	Ionisation plug cap	EVD001						
-	Terminal for ionisation	EVP040						
308	Fan motor mounting Frame	3500V109	2521V104	3500V109				
309	Burner control unit KM628 (5 seconds safe-	RBA058IS						
310	Power supply transformer	ETR055						
311	CXE expansion module for KM with casing and	REM006AAAS						
312	Burner controller Pilot	RVM005	-	RVM005				

Common Electrical Parts

Pos		ALL R3456 BOILERS
-	Temp. sensor	RTV065
-	Temp. sensor cable with connector	EVS455BS
-	Second High limit thermostat limit LS1	RTR105
313	Ignition transformer	ETH005
-	Ignition transformer power supply cable	ESK005
-	Ignition transformer conversion kit from 24V to 230V	2800E1ZS
-	Flow switch	RSS007
314	Power switch	ELS031
-	R2800 cable tree	EKB005
-	R2800 cable tree for KKM8/E8	2800E2DS
-	Ferrite core	EEK010
315	Separation transformer	ETS005
316	Pump Relay Allan Bradley 230Vac	ERT030
-	Safety relay	ERT057
-	Auxiliary relay Finder 220 Vac (55.34.8230.0040)	ERH031
-	Time relay	ERT027
-	Time relay socket & ERH031 socket	ERV011
-	CoCo2	RCC006
-	Gas valve leaktest control For Dungs valve	RLC011
-	Gas valve leaktest control For Kromschröder valve	RLC005
-	Min./max. gas pressure switch (DG 50B-3 32Z)	RSD020
-	Min./max. gas pressure switch (DG 150U)	RSD016
-	Pressure switch Huba 625.9978 (0,12-2,2Bar)	RSV040
-	Pressure switch Fema SDBAM6 (1,2-6Bar)	RSD055
317	Air pressure switch Dungs LGW3	RSV110
-	Air pressure switch mounting bracket round	3500E107

Common Electrical Parts

Pos		ALL R3456 BOILERS
-	Air pressure switch assy	2800E1EB
-	Air pressure switch assy	2800E1EC
-	Flow control push magnet	RKS045
-	Flow control push magnet (GB exec. 0 pos.contr. 230V)	RKS046
-	Flow control conversion 3Way to 2 way	RKS030AS
318	BM8 control	RBM006
319	KKM8 cascade manager	RBM011AS
-	Remote control with sensor FBR2	EBA052
-	Remote room sensor RFB	EBA055
-	Radio controlled clock DCF	RUF002
320	E8 heat circuit control	RBM021AS
-	Outdoor sensor AFS	RTV015
-	Storage vessel sensor SPFS	RTV070
-	KFS sensor (general flow sensor)	RTV075
-	Heat circuit flow sensor VFAS	RTV080
-	Wall hung box E8	RRV003
-	Wall hung box KKM8	RRV004
-	Programming device Frequency inverter	EBA030
-	Net filter	ETN022
-	Choke coil	ETN020
-	Pressure gauge 0-6 Bar	ROM015
-	Pressure gauge 0-4 Bar	ROM025
-	Pressure gauge mounting socket for ROM025	ROM026
-	Pressure gauge 0-10 Bar	ROM037

Burner & Gastrain Parts

Pos		R3401	R3600SB	R3402 R3501 R3601	R3403 R3502 R3602	R3404 R3503 R3603	R3405 R3504 R3604	R3406 R3505 R3605
-	Gasvalve	RKH016	RKH122	RKH016				
-	Gasvalve conv. kit from Kromschroder to Dungs	RKH016AS	-	RKH016AS			RKH016BS	
401	Restriction plate R3400	3401M102	-	3402M102	3403M102	3404M102	3405M102	3404M102
401	Restriction plate R3500/3600	-	2909M101	3501M126	3502M126	3503M126	3504M126	3505M126
402	Gasket between fan + restriction plate	ARP060	ARP276	ARP060				
-	Pilot gasvalve	RKH002	-	RKH002				
-	Pilot gasvalve governor	RDG103	-	RDG103				
403	Pilot injector assembly	3500M1C1AS	-	3500M1C1AS				
-	Pilot gasvalve adjust key	3500G1AS						
-	Synthetic tube PTFE 6x8mm	DSN005						
404	Compression coupling 8 mm x 1/8"	FKM195						
-	Elbow compression coupling 8 mm x 1/4"	FKM190						
405	Elbow compression coupling 8 mm x 1/8"	FKM185						
-	Compression coupling 8 mm x 1/4" R3400/3500	FKM180					FKM180 (only R3500!!)	-
-	Compression coupling for CG valve	FNS203					FNS203 (only R3500!!)	-
-	Brass compression T-coupling 8 mm	FKM115						
-	Brass compression coupling 8 mm x 1/8" outer	FKM095						
-	Brass compression coupling 8 mm x 1/8" inner	FKM100						
-	Copper pipe 6x8mm	GBK008						
-	Brass tubing support 4mm	FHM200						
-	Brass tubing support 6mm	FHM210						
-	Spring for Plenum	10x BVD001AS						
-	Plenum	3401M127AS	2809M112AS	3501M127AS	3502M127AS	3503M127AS	3504M127AS	3505M127AS
406	Top plate	3401M1A1AS	2809M1A1AS	3501M1A1AS	3502M1A1AS	3503M1A1AS	3504M1A1AS	3505M1A1AS
407	Top plate weight & Cover	3501M1MS	GSS030 + 2709M110	3501M1MS			3504M1MS	
408	Test point	RKD001						
-	Gas filter	RGF010					RGF020	
-	Gas valve actuator open/close	RMK040BS		-				
-	Gas valve actuator adjustable	RMK121BS		-				

Casing & Parts

Pos		R3401	R3600SB	R3402 R3501 R3601	R3403 R3502 R3602	R3404 R3503 R3603	R3405 R3504 R3604	R3406 R3505 R3605	
501	Control panel red (1)	GPV101A1AS							
501	Control panel blue (2)	GPV101B1AS							
501	Control panel green (3)	GPV101D1AS							
501	Control panel grey (6)	GPV101E1AS							
501	Control panel blue (8)	GPV101H1AS							
502	Top panel ribbed red (1)	3501P101A1 AS	2804P101A1 AS	3501P101A1 AS	3502P101A1AS				
502	Top panel ribbed blue	3501P101B1 AS	2804P101B1 AS	3501P101B1 AS	3502P101B1AS				
502	Top panel ribbed green	3501P101D1 AS	2804P101D1 AS	3501P101D1 AS	3502P101D1AS				
502	Top panel ribbed grey	3501P101E1 AS	2804P101E1 AS	3501P101E1 AS	3502P101E1AS				
502	Top panel ribbed blue	3501P101H1 AS	2804P101H1 AS	3501P101H1 AS	3502P101H1AS				
503	Front panel ribbed red	2800P101A1AS							
503	Front panel ribbed blue	2800P101B1AS							
503	Front panel ribbed green	2800P101D1AS							
503	Front panel ribbed grey	2800P101E1AS							
503	Front panel ribbed blue	2800P101H1AS							
504	Front panel white	GPV905AS	GPV871AS	GPV905AS	GPV866AS		GPV905AS		
505	Left top panel	GPV900	GPV851	GPV900	GPV915		GPV925		
505	Left top panel room sea-	GP- V900B1AS	GP- V851A1AS	GP- V900A1AS	GPV915C1AS		GPV925A1AS		
506	Left side back top panel	-			GPV915		GPV925		
507	Left side casing panel	GPV910AS	GPV821AS	GPV910AS	GPV920AS	GPV920			
508	Right side front casing panel	GPV801	GPV806	GPV801	GPV806				
509	Right side back casing panel R3400	GPV811							
509	Right side back casing panel R3500	-							GPV811AS
509	Right side back casing panel R3600	-	GPV811	GPV811AS					
-	Back casing strip R3400/3500/3600	3501S109AS	-	3501S109AS	2807S134AS	2807S134AS	3501S109AS	3501S109AS	
-	Back casing strip SB	-	2809S134AS	3651S109AS	3652S109AS	3653S109AS	3654S109AS	3655S109AS	
510	Snapper	BSS090							
-	Snapper nut	BMV009							

Casing & Parts

Pos		R3401	R3600SB	R3402 R3501 R3601	R3403 R3502 R3602	R3404 R3503 R3603	R3405 R3504 R3604	R3406 R3505 R3605
511	Air inlet box open	3500V1CS	-			3500V1CS		
511	Air inlet box open SB	-	2950V1CS			3650V2CS		
511	Air inlet box open with filter R3400	3500V2CS	-			3500V2CS		3406V2CS
511	Air inlet box open with filter R3500/3600	-	-			3500V2CS		
511	Air inlet box open with filter SB	-	2950V2CS			3650V2CS		
-	Air inlet box filter	DDF005						
511	Air inlet box room sealed	3501V3CS	-	3501V3CS	3502V3CS		3504V3CS	3504V3CS
511	Air inlet box room sealed SB	-	2957V3CS	3651V3CS	3652V3CS		3654V3CS	
-	Conversion kit open	3501V1DS	-	3501V1DS	3502V1DS		3504V1DS	
-	Conversion open SB	-	2959V1DS	3651V1DS	3652V1DS		3654V1DS	
-	Conversion kit open with filter R3400	3501V2DS	-	3501V2DS	3502V2DS		3504V2DS	3406V2DS
-	Conversion kit open with filter R3500/3600	-		3501V2DS	3502V2DS		3504V2DS	
-	Conversion kit open with filter SB	-	2959V2DS	3651V2DS	3652V2DS		3654V2DS	
-	Conversion kit room sealed with filter R3400	3401V3DS	-	3501V3DS	3403V3DS	3502V3DS	3504V3DS	
-	Conversion kit room sealed with filter	-	-	3501V3DS	3502V3DS		3504V3DS	
-	Conversion kit room sealed with filter SB	-	2957V3CS	3651V3DS	3652V3DS		3654V3DS	
512	Exhaust pipe mounting base R3400	2809R1E1AS	-	3402R1C1AS	3502R1C1AS	3404R1C1AS	3504R1C1AS	3505R1C1AS
512	Exhaust pipe mounting base R3500/3600(SB)	-	2809R1E1AS	3501R1C1AS	3502R1C1AS	3503R1C1AS	3504R1C1AS	3505R1C1AS
513	Inspection hatch com-	2800R1BS						
513	Inspection blind hatch complete	2800R1CS						
-	Adjustable foot	GIL075AS						
514	Syphon	DWS010						
-	Tyraps	100x EBB001						
-	Sight glass complete	DBG010AS						
-	Blind plug for measuring hole exhaust pipe	FSA001						

Notes

Lined area for notes, consisting of multiple horizontal lines within a rectangular border.

Service:

Rendamax bv

Hamstraat 76
6465 AG Kerkrade
Parkstad nr. 5007

P.O. Box 1035
6460 BA Kerkrade
The Netherlands

Tel. (+31) 45 5669 900
Fax (+31) 45 5669 910

info@rendamax.com
www.rendamax.com