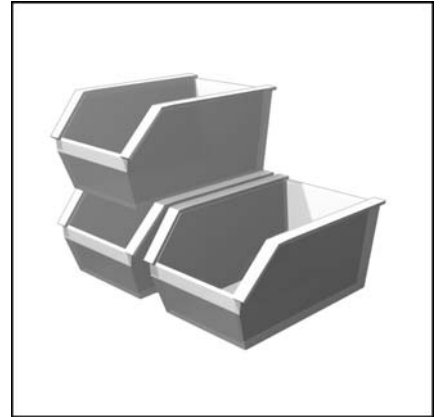


Spare Parts List R500/R300



This spare parts list has been made according to the latest production models. For articles not mentioned in this list, please contact the Rendamax Sales department with the boiler serial number and a part number and/or description of the article.

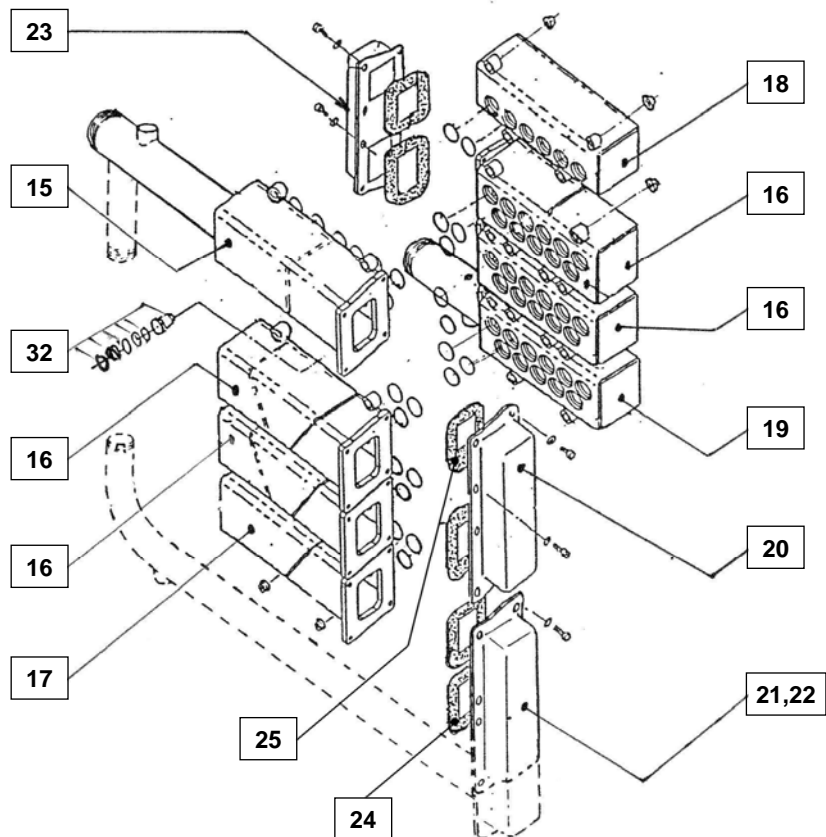
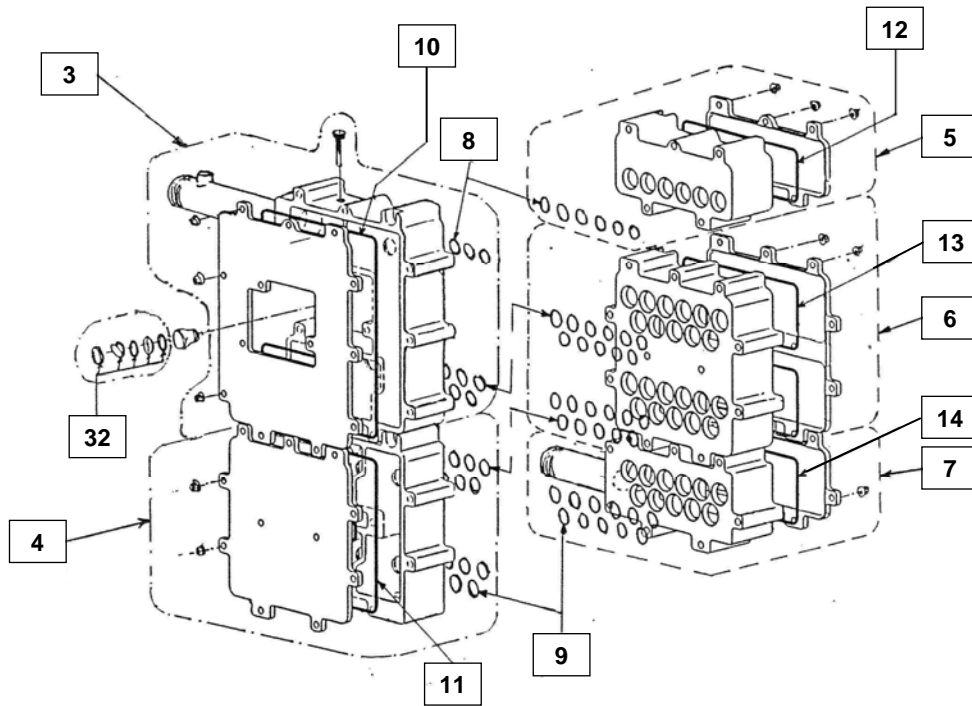
Edition 12-2008

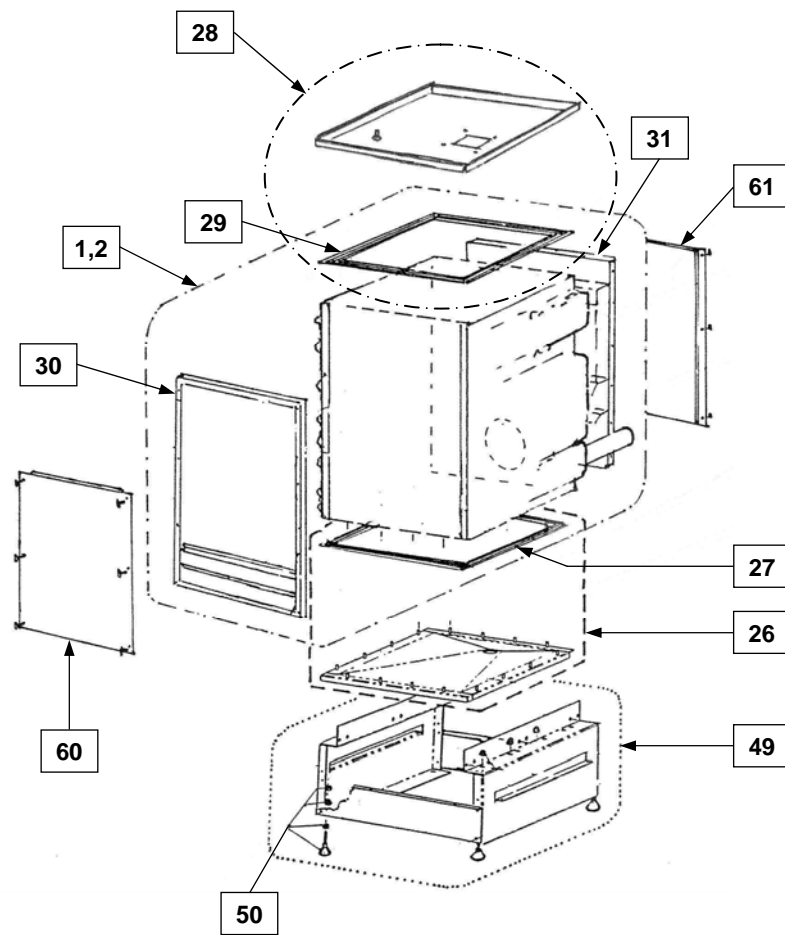
© 2008 Rendamax B.V.

All rights reserved.

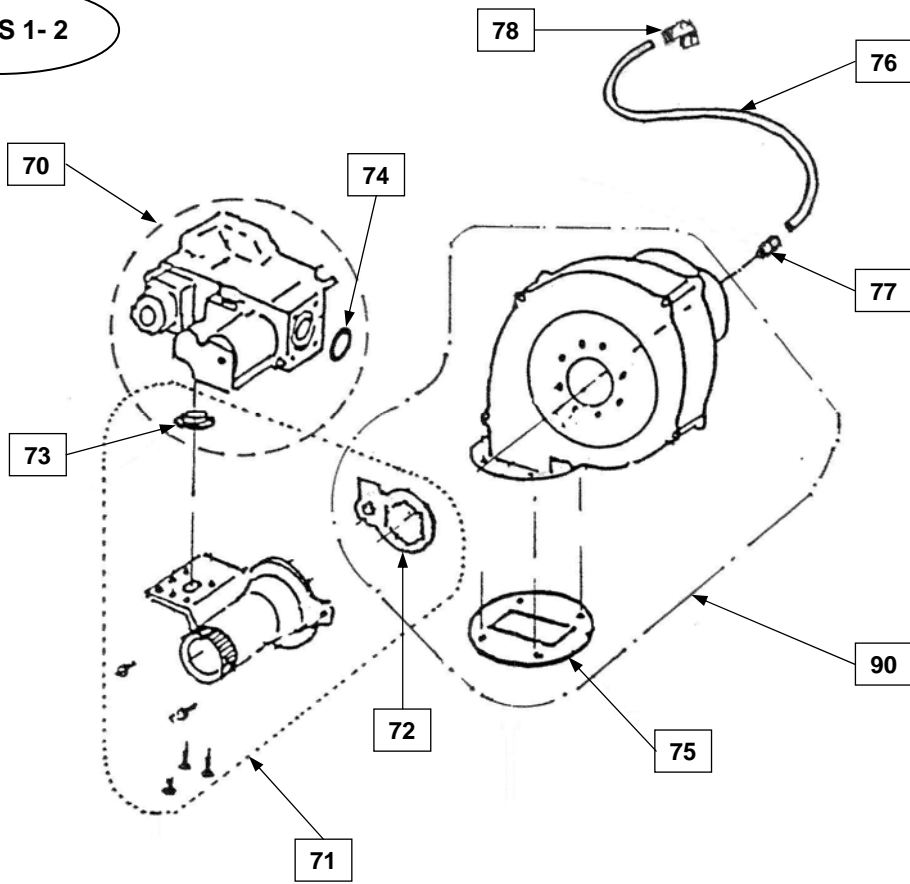
No part of this publication may be copied and/or published by means of printing, photocopying, microfilming, or by electronic means, on tape or in any other manner whatsoever without the prior permission of Rendamax B.V. in writing.

We are engaged in a constant effort to improve our products. As a result of this process, the products may deviate slightly from the descriptions contained in the present document. Rendamax B.V. accepts no liability whatsoever for differences between the products delivered and the information contained in the present document.

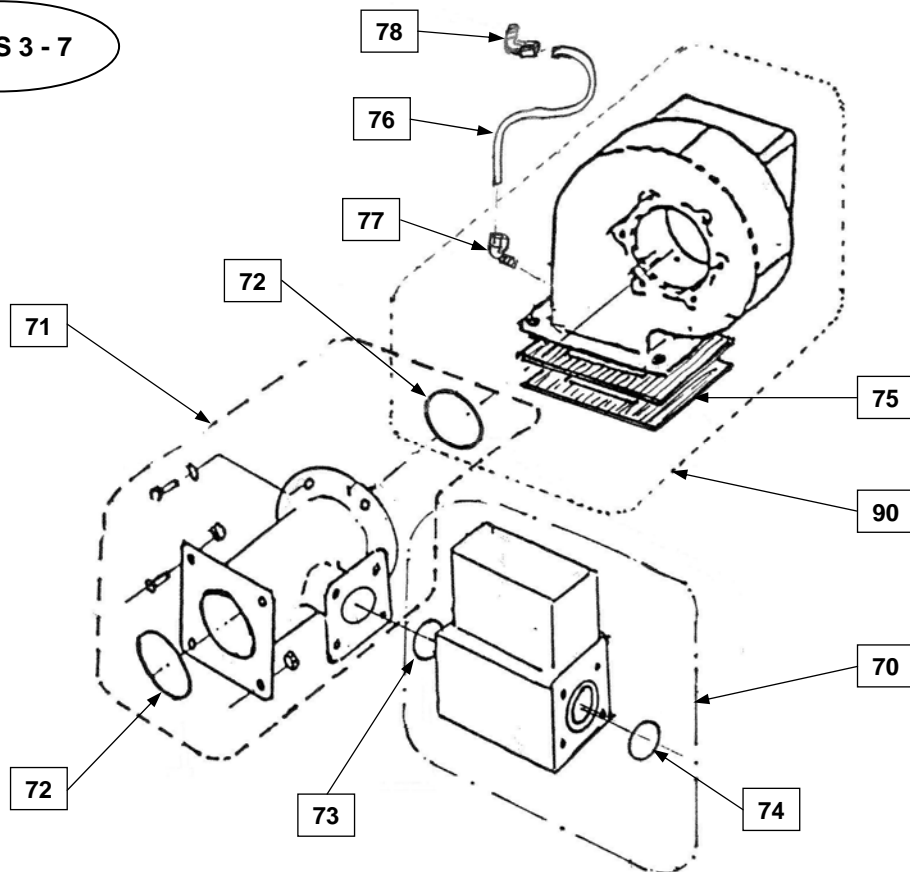




TYPES 1- 2



TYPES 3 - 7



Heat Exchangers & Parts

Pos		R301 R501	R302 R502	R303 R503	R304 R504	R305 R505	R306 R506	R307 R507	
1	Burner/Heat exchanger complete CV R300	301U1AS	302U1AS	303U1AS	304U1AS	305U1AS	306U1AS	307U1AS	
2	Burner/Heat exchanger complete IP R300	301URAS	302URAS	303URAS	304URAS	305URAS	306URAS	307URAS	
1	Burner/Heat exchanger complete CV R500	501U1BS	502U1BS	503U1BS	504U1BS	505U1BS	506U1BS	507U1BS	
2	Burner/Heat exchanger complete IP R500	501URAS	502URAS	503URAS	504URAS	505URAS	506URAS	507URAS	
-	Flow tubing cv	501B1E1				505B1E1			
-	Return tubing cv	501W1M1				505W1M1			
3	CV Flow header set (upper left header)	GGU005AS		GGU005BS		GGU010AS			
3	CV Flow header set with sensor pocket (upper left header)	GGU005CS		GGU005DS		GGU010BS			
4	CV Left bottom header set	GGU025FS		GGU025GS		GGU030CS			
5	CV Right upper header set	GGU015AS				GGU020AS			
6	CV Right middle header set	GGU025AS		GGU025DS		GGU030BS			
7	CV Return header set	GGU035AS				GGU040AS			
-	Sensor pocket (brass)	RTP065							
8	Burner O-ring	12x ARO200				24x ARO200			
9	Heat exchanger O-ring	66x ARO045				138x ARO045			
-	O-ring grease	DLS020							
10	Round sealing upper left header	ARO266				ARO286			
11	Round sealing left bottom header set	ARO276				ARO296			
12	Round sealing right upper header set	ARO271				ARO291			
13	Round sealing right middle header set	ARO276				ARO296			
14	Round sealing right bottom header	ARO281				ARO301			
15	IP Flow header set (upper left header)	501BZB1AS				505BZB1AS			
15	IP Bypass flow header set (upper left header)	501BUB1AS				505BUB1AS	506BUB1AS		
16	IP Right and left middle header sets	501WRA1AS		501WRB1AS		505WRB1AS			
17	IP Left bottom header set	501WRB1AS				505WRB1AS			

Heat Exchangers & Parts

Pos		R301 R501	R302 R502	R303 R503	R304 R504	R305 R505	R306 R506	R307 R507	
18	IP Right upper header set	501BRA1AS				505BRA1AS			
19	IP Return header set (right bottom header)	501WZD1AS				505WZD1AS			
20	Left upper header connector	500BRC1AS							
21	Left bottom header connector	500WRE1AS							
22	Left bottom header connector bypass	501WUA1AS				505WUA1AS			
23	Right side header connector	500WRE1AS							
24	Header connector gasket	5x ARP331							
25	Left top header connector gasket	1x ARP321							
-	Sensor pocket (1/4" RVS316)	RTP066							
-	Burner O-ring IP/ZW	12x ARO201				24x ARO201			
-	Heat exchanger O-ring IP/ZW	66x ARO046				138x ARO046			
-	RVS header sealant	VLS053							
26	Condensate tray	501R1A1AS	502R1A1AS	503R1A1AS	504R1A1AS	505R1A1AS	506R1A1AS	507R1A1AS	
27	Condensate tray gasket	501R104	502R104	503R104	504R104	505R104	506R104	507R104	
28	Top plate	501M1MBAS	502M1MBAS	503M1MBAS	504M1MBAS	505M1MBAS	506M1MBAS	507M1MBAS	
29	Top plate gasket	501M121	502M121	503M121	504M121	505M121	506M121	507M121	
30	Front burner heat exchanger wall	501W1AAAS	502W1AAAS	503W1AAAS	504W1AAAS	505W1AAAS	506W1AAAS	507W1AAAS	
31	Back side burner heat exchanger wall	501W1ABAS	502W1ABAS	503W1ABAS	504W1ABAS	505W1ABAS	506W1ABAS	507W1ABAS	
32	Inspection window complete	DBG010AS							
-	Pressure gauge 0-4 Bar	ROM025							
-	Mounting socket for ROM025	ROM026							
-	Pressure gauge 0-6 Bar	ROM035							
-	Pressure gauge 0-10 Bar	ROM037							

Casing & Parts

Pos		R301 R501	R302 R502	R303 R503	R304 R504	R305 R505	R306 R506	R307 R507
50	Adjustable foot	GIL100AS						
-	Anti Resonance foot	GIL100BS						
-	Flue gas seal	CRS005		CRS007	CRS010	CRS015	CRS020	
-	Syphon	DWS010						
-	Tyraps	100x EBB001						

Insulation Parts and Gaskets

Pos		R301 R501	R302 R502	R303 R503	R304 R504	R305 R505	R306 R506	R307 R507
-	Ignition plug gasket	ARP271						
-	Burner/heat exchanger sealing kit complete	501U2AS	502U2AS	503U2AS	504U2AS	505U2AS	506U2AS	507U2AS
-	Vertical pipe plate seal	DSN065						
-	Vertical sealing kit	500W1AS						
-	Front and back plate insulation	GIB200	GIB210	GIB220	GIB230	GIB210	GIB220	GIB230
60	Front heat protection	501W1P1AS	502W1P1AS	503W1P1AS	504W1P1AS	502W1P1AS	503W1P1AS	504W1P1AS
61	Back heat protection	501W1N1AS	502W1N1AS	503W1N1AS	504W1N1AS	505W1N1AS	506W1N1AS	507W1N1AS
-	Front / back heat protection clip	BKD005						
-	Silicon sealant transparent	VKS001						
-	Acid free high temp.	VKS005						
-	Omnivisc 1050	VLS003						
-	Permabond A131200	VLS050						
-	Permabond A1044	VLS058						
-	Gluecon	VLC002						
-	Alu. Tape	DTA005						

Burner & Gastrain Parts

Pos		R301 R501	R302 R502	R303 R503	R304 R504	R305 R505	R306 R506	R307 R507
70	Gasvalve with gaskets R300	RKH150CS		RKH021CS		RKH031CS		
70	Gasvalve with gaskets R500	RKH150CS		RKH021CS			RKH031CS	
71	Venturi with gaskets R300	RKV011CS		RKV002CS		RKV003CS		
71	Venturi with gaskets R500	RKV011CS		RKV002CS			RKV003CS	
72	Gasket between fan and venturi	ARP340		ARO030				
73	Gasket between venturi and gasvalve	ARP345		ARO306				
74	Gasket between valve & train	ARO305		ARO306				
75	Gasket between Fan and top plate	1x ARP350		2x ARP216				
-	Gasket between elbow connection gastrain 305-505	-			ARP400		-	
76	Synthetic tube PTFE 6x8mm	DSN005						
77	Tube connector between Fan & tube	FKM195		FKM185				
78	Tube connector between tube & P-switch	FKM185						
-	Test point	RKD001						
-	Gasfilter R300	RGF003		RGF005		RGF007	RGF001	
-	Gasfilter R500	RGF003			RGF005		RGF001	
-	Conversion kit Nat. Gas to Propane	Y01G1BS		-				

Electrical Parts

Pos		R301 R501	R302 R502	R303 R503	R304 R504	R305 R505	R306 R506	R307 R507
-	Ignition plug with gasket	REE160B1AS						
-	Ionisation plug with gasket	REE130						
-	Ionisation plug conversion kit	REE130BS						
-	Ignition cable complete	ESB025						
-	Ignition plug cap	EVD003						
-	Ionisation plug cap	EVD001						
-	Terminal for ion. cap	EVP040						
90	Fan	RVA081CS	RVA072CS					
-	PWM cable to fan	EKB050						
-	Resistor	ELW060						
-	Burner control unit KM628 CV (CVI)	RBA058AS	RBA058KS					
-	Burner control unit KM628 IP (CVI)	RBA058CS	RBA058MS					
-	Burner control unit KM628 ZW (CVI)	RBA058NS	RBA058PS					
-	Burner control unit KM628 CV (KS)	-	RBA058BS					
-	Burner control unit KM628 IP (KS)	-	RBA058DS					
-	Burner control unit KM628 ZW (KS)	-	RBA058OS					
-	Burner control unit KM628 CV (CVI) LPG	RBA058QS	-					
-	Burner control unit KM628 IP (CVI) LPG	RBA058RS	-					
-	Burner control unit KM628 ZW (CVI) LPG	RBA058SS	-					
-	Burner control unit KM628 CV (CVI) LPG	-	RBA058TS					
-	Burner control unit KM628 IP (CVI) LPG	-	RBA058US					
-	Burner control unit KM628 ZW (CVI) LPG	-	RBA058VS					
-	Power supply transformer	ETR055						
-	CXE module for KM628 with casing and sticker	REM006AAAS						
-	Temp. sensor	RTV065						
-	Temp. sensor cable with connector	EVS455AS						
-	Flow sensor VFAS for ZW	RTV080						
-	High limit thermostat Imit LS1	RTR105						
-	Ignition transformer	ETH005						
-	Ignition transformer power supply cable	ESK005						

Electrical Parts

Pos		R301 R501	R302 R502	R303 R503	R304 R504	R305 R505	R306 R506	R307 R507
-	Power switch				ELS031			
-	Separation transformer				ETS005			
-	Flow switch				RSS007			
-	Flow switch ZW				RSS008			
-	Relay Allan Bradley 230Vac				ERT030			
-	Safety relay				ERT056			
-	Auxiliary relay Tyco Schrack				ERH068			
-	Auxiliary relay Tyco Schrack socket				ERV086			
-	Auxiliary relay Tyco Schrack socket Clip				ERV087			
-	Conversion kit Relais 12Vdc to Tyco relais				ERH086AS			
-	Auxiliary relay Finder 220Vac (55.34.8230.0040)				ERH031			
-	Auxiliary relay Finder socket				ERV011			
-	Time relay				ERT027			
-	Time relay socket				ERV011			
-	CoCo2				RCC006			
-	Leaktest control		-			RLC015		
-	Min. gas pressure switch	RSD020				RDG205		
-	Air pressure switch				RSV110			
-	BM8 control				RBM006			
-	KKM8 cascade manager				RBM011AS			
-	E8 heat circuit control				RBM021AS			
-	Radio controlled Clock				RUF002			
-	Outdoor sensor				RTV015			
-	Storage vessel sensor				RTV070			
-	KFS sensor (general flow sensor)				RTV075			
-	Heat circuit flow sensor				RTV080			
-	Wall hung box E8				RRV003			
-	Wall hung box KKM8				RRV004			
-	Net filter				ETN025			

Pumps R300

		R301	R302	R303	R304	R305	R306	R307
Standard	Grundfos UPS25-80 230V	RPI234AS		-				
	Grundfos UPS32-80 230V	-	RPI120		-			
	Grundfos UPS32-120F 230V	-			RPI219			
	Grundfos UPS32-120F 400V	-			RPI217			
Speed Controlled	Grundfos UPE32-100 230V	RPI561			-			
	Grundfos UPE32-100F 230V	RPI507			-			
	Grundfos UPE32-120F 230V	-			RPI511			
	Grundfos UPE40-120F 230V	-						RPI516
Bypass	Grundfos UPS32-40 230V	RPI080	-					
	Grundfos UPS32-40 230V	-	RPI090			-		
	Grundfos UPS32-80 230V	-				RPI120		
Bronze	Grundfos UPS32-80B 230V	RPI550		-				
	Grundfos UPS32-120FB 230V	-	RPI554			-		
	Grundfos UPS50-120FB 230V	-			RPI556			
	Grundfos UPS32-120FB 400V	-	RPI555			-		
	Grundfos UPS50-120FB 400V	-			RPI557			
Bronze Bypass	Grundfos UPS25-40B 230V	RPI200	-					
	Grundfos UPS25-60B 230V	-	RPI205			-		
	Grundfos UPS32-80B 230V	-				RPI550		
Swimming pool	ITT Lowara 4HMS3 230V	RPI682	-					
	ITT Lowara 4HMS4 230V	-	RPI683	-				
	ITT Lowara 4HMS7 230V	-		RPI685	-			
	ITT Lowara COM350/11 230V	-			RPI681		-	
	ITT Lowara COM350/15 230V	-			RPI686	-		
	ITT Lowara CEAM370/2 230V	-						RPI680
	ITT Lowara 4HMS3 400V	RPI687	-					
	ITT Lowara 4HMS4 400V	-		RPI468	-			
	ITT Lowara 4HMS7 400V	-		RPI690	-			
	ITT Lowara COM350/11 400V	-			RPI691		-	
	ITT Lowara COM350/15 400V	-			RPI692	-		
	ITT Lowara CEAM370/2 400V	-						RPI693

Pumps R500

		R501	R502	R503	R504	R505	R506	R507	
Standard	Grundfos UPS25-80 230V	RPI234AS		-					
	Grundfos UPS32-80 230V	-	RPI120		-				
	Grundfos UPS32-120F 230V	-			RPI219				
	Grundfos UPS32-120F 400V	-			RPI217				
Speed Controlled	Grundfos UPE32-100 230V	RPI561			-				
	Grundfos UPE32-100F 230V	RPI507			-				
	Grundfos UPE32-120F 230V	-			RPI511				
Bypass	Grundfos UPS32-40 230V	RPI080	-						
	Grundfos UPS32-40 230V	-	RPI090				-		
	Grundfos UPS32-80 230V	-				RPI120			
Bronze	Grundfos UPS32-80B 230V	RPI550		-					
	Grundfos UPS32-120FB 230V	-	RPI554				-		
	Grundfos UPS50-120FB 230V	-			RPI556				
	Grundfos UPS32-120FB 400V	-	RPI555				-		
	Grundfos UPS50-120FB 400V	-			RPI557				
Bronze Bypass	Grundfos UPS25-40B 230V	RPI200	-						
	Grundfos UPS25-60B 230V	-	RPI205				-		
	Grundfos UPS32-80B 230V	-				RPI550			
Swimming pool	ITT Lowara 4HMS3 230V	RPI682	-						
	ITT Lowara 4HMS4 230V	-	RPI683	-					
	ITT Lowara 4HMS5 230V	-		RPI684	-				
	ITT Lowara COM350/11 230V	-			RPI681			-	
	ITT Lowara COM350/15 230V	-				RPI686			
	ITT Lowara 4HMS3 400V	RPI687	-						
	ITT Lowara 4HMS4 400V	-	RPI468	-					
	ITT Lowara 4HMS5 400V	-		RPI689	-				
	ITT Lowara COM350/11 400V	-			RPI691			-	
	ITT Lowara COM350/15 400V	-				RPI692			

Service:

Rendamax bv

Hamstraat 76
6465 AG Kerkrade
Parkstad nr. 5007

P.O. Box 1035
6460 BA Kerkrade
The Netherlands

Tel. (+31) 45 5669 900
Fax (+31) 45 5669 910

info@rendamax.com
www.rendamax.com