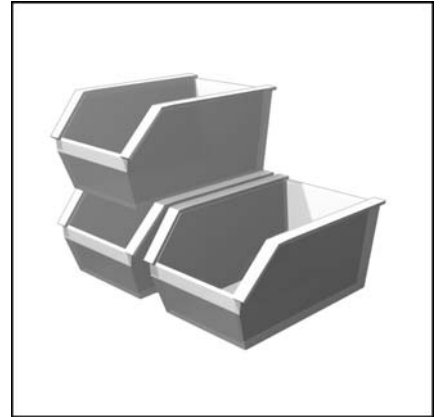


## Spare Parts List R2789

---



**This spare parts list has been made according to the latest production models. For articles not mentioned in this list, please contact the Rendamax Sales department with the boiler serial number and a part number and/or description of the article.**

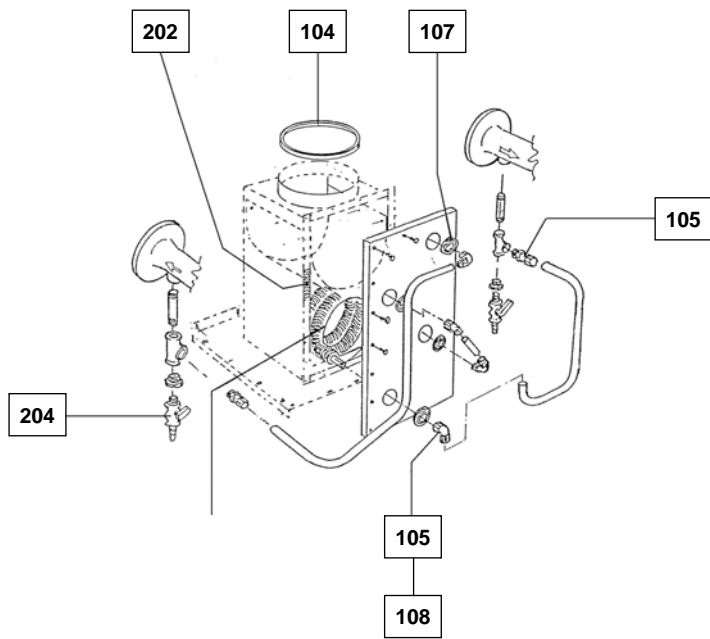
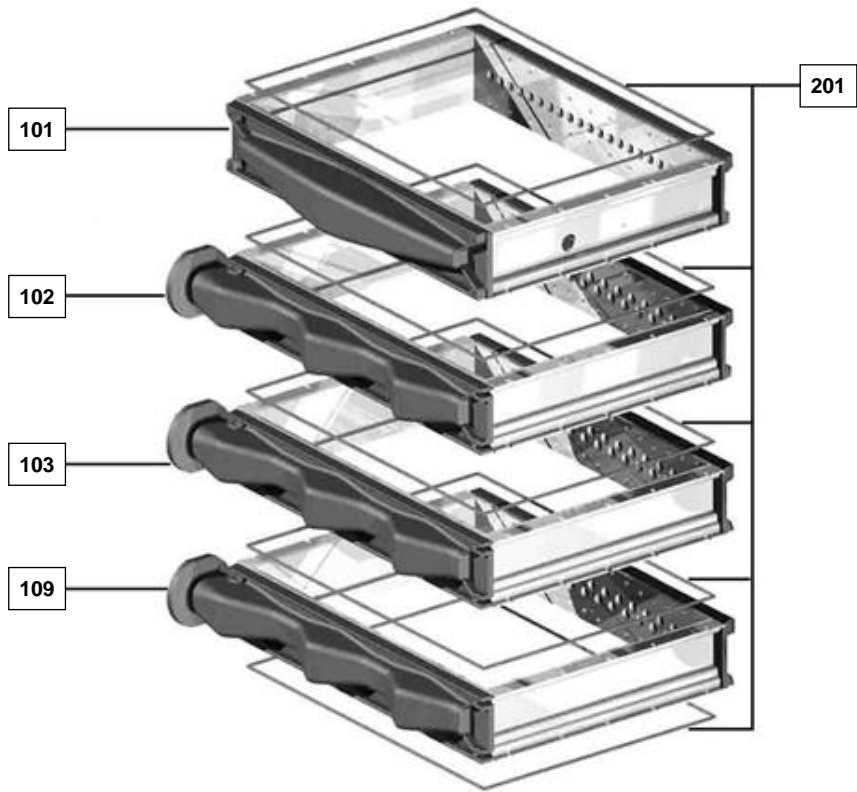
Edition 12-2008

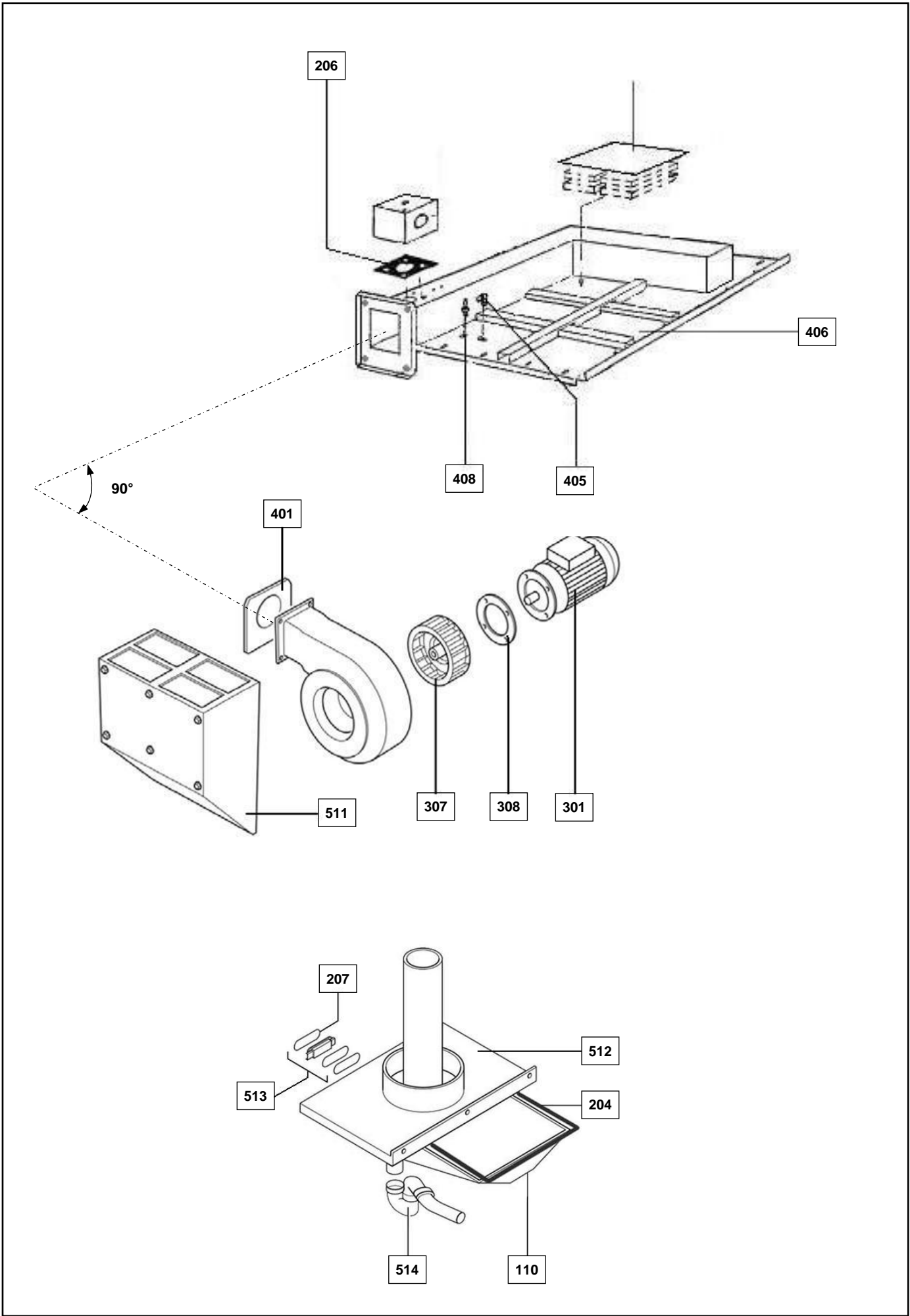
© 2008 Rendamax B.V.

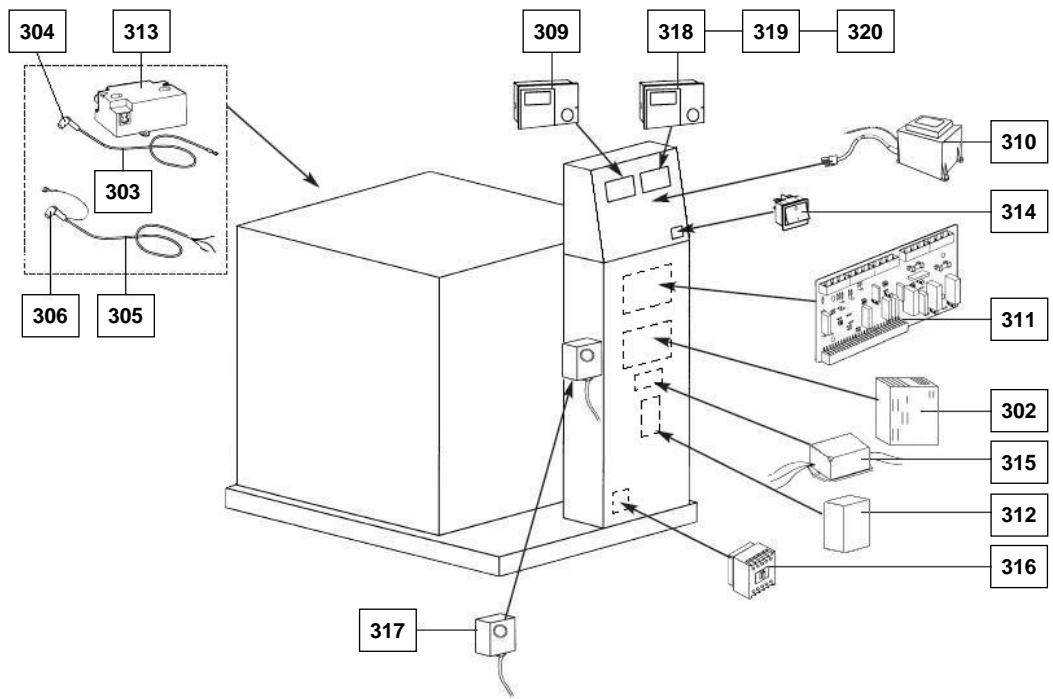
All rights reserved.

No part of this publication may be copied and/or published by means of printing, photocopying, microfilming, or by electronic means, on tape or in any other manner whatsoever without the prior permission of Rendamax B.V. in writing.

We are engaged in a constant effort to improve our products. As a result of this process, the products may deviate slightly from the descriptions contained in the present document. Rendamax B.V. accepts no liability whatsoever for differences between the products delivered and the information contained in the present document.







## R2700 Heat Exchangers

Pos		R2700	R2701	R2702	R2703	R2704
101	Burner exchanger set	2801B1BDAS			2802B1BDAS	2803B1BDAS
102	1 <sup>ST</sup> Heat exchanger set	2801W1WBAS			2802W1WBAS	2803W1WBAS
103	2 <sup>ND</sup> Heat exchanger set	2700W2WBAS	2801W2WBAS		2802W2WBAS	2803W2WBAS
-	Brass compression coupling 8 mm x 1/8"	FKM095				
-	Flow tube	ONLY AVAILABLE ON REQUEST				
-	Return tubing	ONLY AVAILABLE ON REQUEST				
-	Sensor pocket (brass)	RTP070				
110	Condensate tray	2801R1A1AS			2802R1A1AS	2803R1A1AS
-	Gauge drain	RAK020				
-	Gauge pipe	DWS001				
111	Drain	RAK008				

Pos		R2705	R2706	R2707	R2708	R2709
101	Burner exchanger set	2804B1BDAS	2805B1BDAS	2806B1BDAS	2807B1BDAS	2808B1BDAS
102	1 <sup>ST</sup> Heat exchanger set	2804W1WBAS	2805W1WBAS	2806W1WBAS	2807W1WBAS	2808W1WBAS
103	2 <sup>ND</sup> Heat exchanger set	2804W2WBAS	2805W2WBAS	2806W2WBAS	2807W2WBAS	2808W2WBAS
-	Brass compression coupling 8 mm x 1/8"	FKM095				
-	Flow tube	ONLY AVAILABLE ON REQUEST				
-	Return tubing	ONLY AVAILABLE ON REQUEST				
-	Sensor pocket (brass)	RTP065				
110	Condensate tray	2804R1A1AS	2805R1A1AS	2806R1A1AS	2807R1A1AS	2808R1A1AS
-	Gauge drain	RAK020				
-	Gauge pipe	DWS001				
111	Drain	RAK008				

# R2800 Heat Exchanger Parts

Pos		R2800	R2801	R2802	R2803	R2804
101	Burner exchanger set	2801B1BDAS		2802B1BDAS	2803B1BDAS	2804B1BDAS
102	1 <sup>ST</sup> Heat exchanger set	2801W1WBAS		2802W1WBAS	2803W1WBAS	2804W1WBAS
103	2 <sup>ND</sup> Heat exchanger set	2801W2WBAS		2802W2WBAS	2803W2WBAS	2804W2WBAS
-	Brass compression coupling 8 mm x 1/8"	FKM095				
-	Flow tube	ONLY AVAILABLE ON REQUEST				
-	Return tubing	ONLY AVAILABLE ON REQUEST				
-	Sensor pocket (brass)	RTP070				RTP065
110	Condensate tray	2801R1A1AS		2802R1A1AS	2803R1A1AS	2804R1A1AS
-	Gauge drain	RAK020				
-	Gauge pipe	DWS001				
111	Drain	RAK008				

Pos		R2805	R2806	R2807	R2808	R2809
101	Burner exchanger set	2805B1BDAS	2806B1BDAS	2807B1BDAS	2808B1BDAS	2809B1BDAS
102	1 <sup>ST</sup> Heat exchanger set	2805W1WBAS	2806W1WBAS	2807W1WBAS	2808W1WBAS	2809W1WBAS
103	2 <sup>ND</sup> Heat exchanger set	2805W2WBAS	2806W2WBAS	2807W2WBAS	2808W2WBAS	2809W2WBAS
-	Brass compression coupling 8 mm x 1/8"	FKM095				
-	Flow tube	ONLY AVAILABLE ON REQUEST				
-	Return tubing	ONLY AVAILABLE ON REQUEST				
-	Sensor pocket (brass)	RTP065				
110	Condensate tray	2805R1A1AS	2806R1A1AS	2807R1A1AS	2808R1A1AS	2809R1A1AS
-	Gauge drain	RAK020				
-	Gauge pipe	DWS001				
111	Drain	RAK008				

# R2900 Heat Exchanger Parts

Pos		R2900	R2901	R2902	R2903	R2904
101	Burner exchanger set	2801B1BDAS	2801B1BDAS	2802B1BDAS	2803B1BDAS	2804B1BDAS
102	1 <sup>ST</sup> Heat exchanger set	2801W1WBAS	2801W1WBAS	2802W1WBAS	2803W1WBAS	2804W1WBAS
103	2 <sup>ND</sup> Heat exchanger set	2801W2WBAS	2801W2WBAS	2802W2WBAS	2803W2WBAS	2804W2WBAS
-	Condensor conversion kit old to new casing	2901R1AS		2902R1AS	2903R1AS	2904R1AS
105	Brass elbow compression coupling 22 mm	2x FKM215				4x FKM215
-	Brass elbow compression coupling 22 mm x 3/4"	1x FKM210				FKM210
106	Brass compression coupling 22 mm x 1"	1x FKM205				2x FKM205
108	Brass compression coupling adj. ring 22 mm x 20 mm	2x FVM005				4x FVM005
-	Brass compression coupling 8 mm x 1/8"	FKM095				
-	Flow tube	ONLY AVAILABLE ON REQUEST				
-	Return tubing	ONLY AVAILABLE ON REQUEST				
-	Sensor pocket (brass)	RTP070				RTP065
110	Condensate tray	2801R1A1AS		2802R1A1AS	2803R1A1AS	2804R1A1AS
-	Gauge drain	RAK020				
-	Gauge pipe	DWS001				
111	Drain	RAK008				



## R2900(SB) Heat Exchanger Parts

Pos		R2905(SB)	R2906(SB)	R2907(SB)	R2908(SB)	R2909(SB)
101	Burner exchanger set	2805B1BDAS	2806B1BDAS	2807B1BDAS	2808B1BDAS	2809B1BDAS
102	1 <sup>ST</sup> Heat exchanger set	2805W1WBAS	2806W1WBAS	2807W1WBAS	2808W1WBAS	2809W1WBAS
103	2 <sup>ND</sup> Heat exchanger set	2805W2WBAS	2806W2WBAS	2807W2WBAS	2808W2WBAS	2809W2WBAS
-	Condensor conversion kit old to new casing (BS until 14/12/01)	2905R1AS	2906R1AS	2907R1AS 2907R1BS	2908R1AS	2909R1AS
101	Burner exchanger set SB	2955B1BDAS	2956B1BDAS	2957B1BDAS	2958B1BDAS	2959B1BDAS
102	1 <sup>ST</sup> Heat exchanger set SB	2805W1WBAS	2806W1WBAS	2807W1WBAS	2808W1WBAS	2809W1WBAS
103	2 <sup>ND</sup> Heat exchanger set SB	2955W2WBAS	2956W2WBAS	2957W2WBAS	2958W2WBAS	2959W2WBAS
109	3 <sup>RD</sup> Heat exchanger set SB	2955W3WBAS	2956W3WBAS	2957W3WBAS	2958W3WBAS	2959W3WBAS
105	Brass elbow compression coupling 22 mm	4x FKM215		5x FKM215	6x FKM215	
-	Brass elbow compression coupling 22 mm x 3/4"	FKM210				
106	Brass compression coupling 22 mm x 1"	2x FKM205				
-	Brass T compression coupling 22 mm	-			2x FTM010	
108	Brass compression coupling adj. ring 22 mm x 20 mm	4x FVM005			8x FVM005	
-	Brass compression coupling 8 mm x 1/8"	FKM095				
-	Flow tube	ONLY AVAILABLE ON REQUEST				
-	Return tubing	ONLY AVAILABLE ON REQUEST				
-	Sensor pocket (brass)	RTP065				
110	Condensate tray	2805R1A1AS	2806R1A1AS	2807R1A1AS	2808R1A1AS	2809R1A1AS
-	Gauge drain	RAK020				
-	Gauge pipe	DWS001				
111	Drain	RAK008				

## Common Heat Exchanger Parts

Pos		ALL R2789 BOILERS
-	Pressure gauge 0-6 Bar	ROM015
-	Pressure gauge 0-4 Bar	ROM025
-	Pressure gauge mounting socket for ROM025	ROM026
-	Pressure gauge 0-10 Bar	ROM037

## R2700 Insulation, Gaskets & sealants

Pos		R2700	R2701	R2702	R2703	R2704
-	Burner/heat exchanger sealing kit complete	2800U2AS			2802U2AS	2803U2AS
201	Horizontal silicon tube sealing (Orange)	4x DSN050			4x DSN051	4x DSN052
-	Top plate sealing (rectangular flat)	2801M119			2802M119	2803M119
-	Condensate tray sealing (rectangular flat)	2801M119			2802M119	2803M119
-	Gasket for gas coupling Nova-press 32-44-2mm	ARP102		-		
-	Gasket for gas coupling Nova-press 46-62-2mm	-		ARP104		-
-	Gasket for 180° elbow bypass Neoprene 58-95-3 (2801L103)	ARP025				
-	Gasket for pump elbow bypass Neoprene 38-75-3	ARP045				
206	Gasket for gas/air butterfly valve (types 00-08)	ARP285				

Pos		R2705	R2706	R2707	R2708	R2709
-	Burner/heat exchanger sealing kit complete	2804U2AS	2805U2AS	2806U2AS	2807U2AS	2808U2AS
201	Horizontal silicon tube sealing (Orange)	4x DSN053	4x DSN054	4x DSN055	4x DSN056	4x DSN057
-	Top plate sealing (rectangular flat)	2804M119	2805M119	2806M119	2807M119	2808M119
-	Condensate tray sealing (rectangular flat)	2804M119	2805M119	2806M119	2807M119	2808M119
-	Gasket for gas coupling Nova-press 60-78-2mm	-	ARP105			
-	Gasket for 180° elbow bypass Neoprene 77-115-3 (2804L103)	ARP020				
-	Gasket for pump elbow bypass Neoprene 45-85-3	ARP065	-			
-	Gasket for gas/air butterfly valve (types 00-08)	ARP285				-
206	Gasket for gas/air butterfly	-				ARP295

## R2800 Insulation, Gaskets & sealants

Pos		R2800	R2801	R2802	R2803	R2804
-	Burner/heat exchanger sealing kit complete	2800U2AS		2802U2AS	2803U2AS	2804U2AS
201	Horizontal silicon tube sealing (Orange)	4x DSN050		4x DSN051	4x DSN052	4x DSN053
—	Top plate sealing (rectangular flat)	2801M119		2802M119	2803M119	2804M119
-	Condensate tray sealing (rectangular flat)	2801M119		2802M119	2803M119	2804M119
-	Gasket for gas coupling Nova-press 32-44-2mm	ARP102		-		
-	Gasket for gas coupling Nova-press 46-62-2mm	-		ARP104		-
-	Gasket for 180° elbow bypass Neoprene 77-115-3 (2804L103)	-				ARP020
-	Gasket for 180° elbow bypass Neoprene 58-95-3 (2801L103)	ARP025				-
206	Gasket for gas/air butterfly val-	ARP285				

Pos		R2805	R2806	R2807	R2808	R2809
-	Burner/heat exchanger sealing kit complete	2805U2AS	2806U2AS	2807U2AS	2808U2AS	2809U2AS
201	Horizontal silicon tube sealing (Orange)	4x DSN054	4x DSN055	4x DSN056	4x DSN057	4x DSN058
-	Top plate sealing (rectangular flat)	2805M119	2806M119	2807M119	2808M119	2809M119
-	Condensate tray sealing (rectangular flat)	2805M119	2806M119	2807M119	2808M119	2809M119
-	Gasket for gas coupling Nova-press 46-62-2mm	-	ARP104	-		
-	Gasket for gas coupling Nova-press 60-78-2mm	-		ARP105		
-	Gasket for 180° elbow bypass Neoprene 77-115-3 (2804L103)	ARP020				
206	Gasket for gas/air butterfly val-	ARP285				

## R2900(SB) Insulation, Gaskets & sealants

Pos		R2900	R2901	R2902	R2903	R2904
-	Burner/heat exchanger sealing kit complete	2800U2AS		2802U2AS	2803U2AS	2804U2AS
201	Horizontal silicon tube sealing (Orange)	4x DSN050		4x DSN051	4x DSN052	4x DSN053
-	Top plate sealing (rectangular flat)	2801M119		2802M119	2803M119	2804M119
-	Condensate tray sealing	2801M119		2802M119	2803M119	2804M119
203	Pipe outlet seal	2x ASP020				4x ASP020
-	Gasket for gas coupling Nova-	ARP102		-		
-	Gasket for gas coupling Nova-	-		ARP104		-
-	Gasket for 180° elbow bypass	-				ARP020
-	Gasket for 180° elbow bypass	ARP025				-
206	Gasket for gas/air butterfly val-	ARP285				

Pos		R2905(SB)	R2906(SB)	R2907(SB)	R2908(SB)	R2909(SB)
-	Burner/heat exchanger sealing kit complete	2805U2AS	2806U2AS	2807U2AS	2808U2AS	2809U2AS
201	Horizontal silicon tube sealing (Orange) (For SB)	4x DSN054 (5x)	4x DSN055 (5x)	4x DSN056 (5x)	4x DSN057 (5x)	4x DSN058 (5x)
-	Top plate sealing (rectangular flat)	2805M119	2806M119	2807M119	2808M119	2809M119
-	Condensate tray sealing (rectangular flat)	2805M119	2806M119	2807M119	2808M119	2809M119
203	Pipe outlet seal (Not for SB)	4x ASP020			8x ASP020	
-	Gasket for gas coupling Nova-press 46-62-2mm	-	ARP104	-		
-	Gasket for gas coupling Nova-press 60-78-2mm	-		ARP105		
-	Gasket for 180° elbow bypass Neoprene 77-115-3 (2804L103)	ARP020				
206	Gasket for gas/air butterfly val-	ARP285				

## Common Insulation, Gaskets & sealants

Pos		ALL R2789 BOILERS
	Ignition plug gasket	ARP271
202	Gas flue exhaust sealing	DSR080
-	Neoprene seal 12x3mm on 20m role (black)	ARP055
204	Neoprene seal 25x3mm on 20m role (black) Condens tray	ARP060
-	PTFE Seal 25x5mm on 25m role (white)	ARPO62
-	Rubber foam used in burner & condenstray	DSR060
207	Foil for inspection window PTFE 0,1x1200x1000mm	DME020
-	Silicon kit transparent	VKS001
-	Acid free high temp. Kit (red)	VKS005
-	Omnivisc 1050	VLS003
-	Permabond A131200	VLS050
-	Permabond 1058250	VLS055
-	Permabond A1044	VLS058
-	Gluecon	VLC002
-	Permabond MH052	VLS059
-	Alu. Tape	DTA005
-	Test kit for Chloride level	VCH005
-	Test kit for total hardness	VCH010
-	Water tester for Carbonate	VCH015
-	Neutralisation granulate (10kg)	DDD020
-	pH indicator for neutralisation Box	VCH020

## R2700 Electrical Parts

Pos		R2700	R2701	R2702	R2703	R2704
301	Fan motor	MVC110AS				
307	Impeller	SVC110		SVC120	SVC130	
308	Fan motor mounting frame	2506V104				
302	Frequency Inverter	ETF024AS				

Pos		R2705	R2706	R2707	R2708	R2709
301	Fan motor	MVC110AS	MVC120AS			
301	Fan motor with mounting ring for boilers 2705 built '05-'06	MVC110BS	-			
307	Impeller	SVC130		SVC140		SVC170
308	Fan motor mounting frame	2506V104	2521V104			3500V109
302	Frequency Inverter	ETF024AS				ETF025AS

## R2800 Electrical Parts

Pos		R2800	R2801	R2802	R2803	R2804
301	Fan motor	MVC110AS				
307	Impeller	SVC110		SVC120	SVC130	
308	Fan motor mounting frame	2506V104				
302	Frequency Inverter	ETF024AS				

Pos		R2805	R2806	R2807	R2808	R2809
301	Fan motor	MVC110AS	MVC120AS			
301	Fan motor with mounting ring for boilers 2705 built '05-'06	MVC110BS	-			
307	Impeller	SVC130			SVC140	
308	Fan motor mounting frame	2506V104	2521V104			
302	Frequency Inverter	ETF024AS				

## R2900(SB) Electrical Parts

Pos		R2900	R2901	R2902	R2903	R2904
301	Fan motor	MVC110AS				
307	Impeller	SVC110		SVC120	SVC130	
308	Fan motor mounting frame	2506V104				
302	Frequency Inverter	ETF024AS				

Pos		R2905(SB)	R2906(SB)	R2907(SB)	R2908(SB)	R2909(SB)
301	Fan motor	MVC110AS	MVC120AS			
301	Fan motor with mounting ring for boilers 2705 built '05-'06	MVC110BS	-			
307	Impeller (for SB)	SVC130 (SVC140)			SVC140	
308	Fan motor mounting frame	2506V104	2521V104			
302	Frequency Inverter	ETF024AS				

## Common Electrical Parts

Pos		ALL R2789 BOILERS
-	Ignition plug	REE160
-	Ignition plug with gaskets en screws	REE160BS
-	Ionisation plug	REE130
-	Threaded bush for REE130	BSS030
303	Ignition cable complete	ESB020
304	Ignition plug cap	EVD003
305	Ionisation cable complete	EVD001FS
306	Ionisation plug cap	EVD001
-	Terminal for ionisation cap	EVP040
309	Burner controller KM628 (2,2sec)	RBA058ES
310	Power supply transformer	ETR055
311	CXE expansion module for KM with casing and sticker	REM006AAAS
-	Temp. sensor	RTV065
-	Clamping sensor 8k2	RTV025
-	Temp. sensor cable with connector	EVS455BS
-	Second High limit thermostat lmit LS1	RTR105

## Common Electrical Parts

Pos		ALL R2789 BOILERS
313	Ignition transformer	ETH005
-	Ignition transformer power supply cable	ESK005
-	Ignition transformer conversion kit from 24 to 230V	2800E1ZS
-	Flow switch	RSS007
314	Power switch	ELS031
-	Ferrite core	EEK010
315	Separation transformer	ETS005
316	Pump Relay Allan Bradley 230Vac	ERT030
-	Auxiliary relay Finder 220 Vac (55.34.8230.0040)	ERH031
-	Time relay	ERT027
-	Time relay socket & ERH031 socket	ERV011
-	CoCo2	RCC006
-	Gas valve leaktest control	RLC005
-	Min. gas pressure switch (DG 50B-3 32Z)	RSD020
-	Max. gas pressure switch (DG 50B-3 32Z)	RSD020
-	Air pressure switch Huba 625.9978 (0,12-2,2Bar)	RSV040
-	Air pressure switch Fema SDBAM6 (1,2-6Bar)	RSD055
317	Air pressure switch Dungs LGW3	RSV110
-	Air pressure switch ass.	2800E1EB
-	Air pressure switch ass. (0 pos. contr. 230V)	2800E1EC
-	Flow control push magnet	RKS045
-	Flow control push magnet (GB exec. 0 pos. contr. 230V)	RKS046
-	Flow control conversion 3ay to 2 way	RKS030AS
318	BM8 control	RBM006
319	KKM8 cascade manager	RBM011AS
-	Remote control with sensor FBR2	EBA052
-	Remote room sensor RFB	EBA055
-	Radio controlled clock	RUF002
320	E8 heat circuit control	RBM021AS
-	Interface optocoupler for KM	EIO005AS
-	Interface optocoupler for KM + KKM8	EIO005CS
-	Outdoor sensor AFS	RTV015
-	Storage vessel sensor SPFS	RTV070
-	KFS sensor (general flow sensor)	RTV075
-	Heat circuit flow sensor VFAS	RTV080
-	Net filter	ETN022



## R2700 Burner & Gastrain Parts

Pos		R2700	R2701	R2702	R2703	R2704
-	Gasvalve	RKH006		RKH011		RKH107
401	Restriction plate	2700M101	2801M114	2702M101	2703M101	2704M101
-	Gasket between fan, restriction plate and venturi	ARP216				ARP221
-	Synthetic tube PTFE 4x6mm (LGM)	DSN001				
-	Synthetic tube PTFE 6x8mm	DSN005				
-	Synthetic tube Festo 2,9x4,3mm (blue)	DSN020				-
-	Synthetic tube Festo 2,9x4,3mm (black)	DSN025				
-	Compression coupling 8 mm x 1/8"	FKM195		FKM185		
-	Elbow compression coupling 8 mm x 1/4"	FKM190				
405	Elbow compression coupling 8 mm x 1/8"	FKM185				
-	Compression coupling 8 mm x 1/4"	FKM180				-
-	Compression coupling for CG valve	FNS203				-
-	Brass compression T coupling 8 mm	FKM115				
-	Brass compression coupling 8 mm x 1/8" outer Thread	FKM095				
-	Brass compression coupling 8 mm x 1/8" inner Thread	FKM100				
-	Copper pipe 6x8mm	GBK008				
-	Brass tubing support 4mm	FHM200				
-	Brass tubing support 6mm	FHM210				
-	Plenum Spring	5x BVD001AS				8x BVD001AS
-	Plenum	2801M112AS	2801M112AS	2802M112AS	2803M112AS	
406	Top plate	2801M1A1AS	2801M1A1AS	2802M1A1AS	2803M1A1AS	
408	Test point	RKD001				
-	Gas filter	RGF001				
-	Gas valve actuator open/close	RMK040BS				
-	Gas valve actuator adjustable	RMK121BS				
-	Conversion kit SKP to DUNGS	-				2704G1BS

## R2700 Burner & Gastrain Parts

Pos		R2705	R2706	R2707	R2708	R2709
-	Gasvalve	RKH107	RKH117		RKH122	
401	Restriction plate	2705M101	2706M101	2707M101	2708M101	2709M101
-	Gasket between fan, restriction	ARP266		ARP276		1m ARP060
-	Synthetic tube PTFE 4x6mm	DSN001				
-	Synthetic tube PTFE 6x8mm	DSN005				
-	Synthetic tube Festo 2,9x4,3mm (black)	DSN025	-			
-	Compression coupling 8 mm x	FKM185		FKM195		FKM185
-	Elbow compression coupling 8	FKM190				
405	Elbow compression coupling 8	FKM185				
-	Brass compression T coupling	FKM115				
-	Brass compression coupling 8	FKM095				
-	Brass compression coupling 8	FKM100				
-	Copper pipe 6x8mm	GBK008				
-	Brass tubing support 4mm	FHM200				
-	Brass tubing support 6mm	FHM210				
-	Plenum Spring	8x BVD001AS	10x BVD001AS			
-	Plenum	2804M112AS	2805M112AS	2806M112AS	2807M112AS	2808M112AS
406	Top plate	2804M1A1AS	2805M1A1AS	2806M1A1AS	2807M1A1AS	2709M1A1AS
408	Test point	RKD001				
-	Gas filter	RGF001	RFG010			
-	Gas valve actuator open/close	RMK040BS				
-	Gas valve actuator Regulator	RMK121BS				
-	Conversion kit SKP to DUNGS	2705G1BS	2706G1BS	2707G1BS	-	2709G1BS

## R2800 Burner & Gastrain Parts

Pos		R2800	R2801	R2802	R2803	R2804
-	Gasvalve	RKH006		RKH011		RKH107
401	Restriction plate	28BWM101	2801M114	2802M114	2803M114	2804M114
-	Gasket between fan, restriction plate and venturi	ARP216			ARP221	ARP266
-	Synthetic tube PTFE 4x6mm (LGM)	DSN001				
-	Synthetic tube PTFE 6x8mm	DSN005				
-	Synthetic tube Festo 2,9x4,3mm (blue)	DSN020				-
-	Synthetic tube Festo 2,9x4,3mm (black)	DSN025				
-	Compression coupling 8 mm x 1/8"	FKM195		FKM185		
-	Elbow compression coupling 8 mm x 1/4"	FKM190				
405	Elbow compression coupling 8 mm x 1/8"	FKM185				
-	Compression coupling 8 mm x 1/4"	FKM180				-
-	Compression coupling for CG valve	FNS203				-
-	Brass compression T coupling 8 mm	FKM115				
-	Brass compression coupling 8 mm x 1/8" outer Thread	FKM095				
-	Brass compression coupling 8 mm x 1/8" inner Thread	FKM100				
-	Copper pipe 6x8mm	GBK008				
-	Brass tubing support 4mm	FHM200				
-	Brass tubing support 6mm	FHM210				
-	Plenum Spring	5x BVD001AS			8x BVD001AS	
-	Plenum	2801M112AS	2802M112AS	2803M112AS	2804M112AS	
406	Top plate	2801M1A1AS	2802M1A1AS	2803M1A1AS	2804M1A1AS	
408	Test point	RKD001				
-	Gas filter	RGF001				
-	Gas valve actuator open/close	RMK040BS				
-	Gas valve actuator regulator	RMK121BS				
-	Conversion kit SKP to DUNGS	-				2804G1BS

## R2800 Burner & Gastrain Parts

Pos		R2805	R2806	R2807	R2808	R2809
-	Gasvalve	RKH107	RKH112	RKH117	RKH117	RKH122
401	Restriction plate	2805M114	2806M114	2807M114	2808M114	2809M114
-	Gasket between fan, restriction plate and venturi	ARP266	ARP276			
-	Synthetic tube PTFE 4x6mm (LGM)	DSN001				
-	Synthetic tube PTFE 6x8mm	DSN005				
-	Synthetic tube Festo 2,9x4,3mm (black)	DSN025	-			
-	Compression coupling 8 mm x 1/8"	FKM185		FKM195		FKM185
-	Elbow compression coupling 8 mm x 1/4"	FKM190				
405	Elbow compression coupling 8 mm x 1/8"	FKM185				
-	Brass compression T coupling 8 mm	FKM115				
-	Brass compression coupling 8 mm x 1/8" outs. Thread	FKM095				
-	Brass compression coupling 8 mm x 1/8" ins. Thread	FKM100				
-	Copper pipe 6x8mm	GBK008				
-	Brass tubing support 4mm	FHM200				
-	Brass tubing support 6mm	FHM210				
-	Plenum Spring	10x BVD001AS				
-	Plenum	2805M112AS	2806M112AS	2807M112AS	2808M112AS	2809M112AS
406	Top plate	2805M1A1AS	2806M1A1AS	2807M1A1AS	2808M1A1AS	2809M1A1AS
408	Test point	RKD001				
-	Gas filter	RGF001		RFG010		
-	Gas valve actuator open/close	RMK040BS				
-	Gas valve actuator Regulator	RMK121BS				
-	Conversion kit SKP to DUNGS	2805G1BS	2806G1BS	2807G1BS	2808G1BS	2809G1BS

## R2900 Burner & Gastrain Parts

Pos		R2900	R2901	R2902	R2903	R2904
-	Gasvalve	RKH006		RKH011		RKH107
401	Restriction plate	28BWM101	2801M114	2802M114	2803M114	2804M114
-	Gasket between fan, restriction plate and venturi	ARP216			ARP221	ARP266
-	Synthetic tube PTFE 4x6mm	DSN001				
-	Synthetic tube PTFE 6x8mm	DSN005				
-	Synthetic tube Festo	DSN020				-
-	Synthetic tube Festo	DSN025				
-	Compression coupling 8 mm x	FKM195		FKM185		
-	Elbow compression coupling 8	FKM190				
405	Elbow compression coupling 8	FKM185				
—	Compression coupling 8 mm x	FKM180				-
-	Compression coupling for CG	FNS203				-
-	Brass compression T coupling	FKM115				
-	Brass compression coupling 8	FKM095				
-	Brass compression coupling 8	FKM100				
-	Copper pipe 6x8mm	GBK008				
-	Brass tubing support 4mm	FHM200				
-	Brass tubing support 6mm	FHM210				
-	Plenum Spring	5x BVD001AS		8x BVD001AS		10x BVD001AS
-	Plenum	2801M112AS		2802M112AS	2803M112AS	2804M112AS
406	Top plate	2801M1A1AS		2802M1A1AS	2803M1A1AS	2804M1A1AS
408	Test point	RKD001				
-	Gas filter	RGF001				
-	Gas valve actuator open/close	RMK040BS				
-	Gas valve actuator Regulator	RMK121BS				
-	Conversion kit SKP to DUNGS	-				2805G1BS

## R2900(SB) Burner & Gastrain Parts

Pos		R2905(SB)	R2906(SB)	R2907(SB)	R2908(SB)	R2909(SB)
-	Gasvalve	RKH107	RKH112	RKH117		RKH122
401	Restriction plate	2905M101	2906M101	2907M101	2908M101	2909M101
402	Gasket between fan, restriction plate and venturi	ARP266	ARP276			
-	Synthetic tube PTFE 4x6mm	DSN001				
-	Synthetic tube PTFE 6x8mm	DSN005				
-	Synthetic tube Festo	DSN025	-			
-	Compression coupling 8 mm x	FKM185		FKM195		FKM185
-	Elbow compression coupling 8	FKM190				
405	Elbow compression coupling 8	FKM185				
-	Brass compression T coupling	FKM115				
-	Brass compression coupling 8	FKM095				
-	Brass compression coupling 8	FKM100				
-	Copper pipe 6x8mm	GBK008				
-	Brass tubing support 4mm	FHM200				
-	Brass tubing support 6mm	FHM210				
-	Plenum Spring	10x BVD001AS				
-	Plenum	2805M112AS	2806M112AS	2807M112AS	2808M112AS	2809M112AS
406	Top plate	2805M1A1AS	2806M1A1AS	2807M1A1AS	2808M1A1AS	2809M1A1AS
408	Test point	RKD001				
-	Gas filter	RGF001		RFG010		
-	Gas valve actuator open/close	RMK040BS				
-	Gas valve actuator Regulator	RMK121BS				
-	Conversion kit SKP to DUNGS	2806G1BS	2807G1BS	2808G1BS	2809G1BS	-

## R2700 Casing & Parts

Pos		R2700	R2701	R2702	R2703	R2704
511	Air inlet box open with filter	2800V2CS				
511	Air inlet box for room sealed	2801V3CS		2802V3CS	2803V3CS	
512	Chimney mounting base	2801R1E1AS		2802R1E1AS	2803R1E1AS	

Pos		R2705	R2706	R2707	R2708	R2709
511	Air inlet box open with filter	2800V2CS				2709V2CS
511	Air inlet box for room sealed	2804V3CS	2805V3CS		2807V3CS	2709V3CS
512	Chimney mounting base	2804R1E1AS	2805R1E1AS	2806R1E1AS	2807R1E1AS	2808R1E1AS

## R2800 Casing & Parts

Pos		R2800	R2801	R2802	R2803	R2804
511	Air inlet box open with filter	2800V2CS				
511	Air inlet box for room sealed	2801V3CS		2802V3CS	2803V3CS	2804V3CS
512	Chimney mounting base	2801R1E1AS		2802R1E1AS	2803R1E1AS	2804R1E1AS

Pos		R2805	R2806	R2807	R2808	R2809
511	Air inlet box open with filter	2800V2CS				
511	Air inlet box for room sealed	2805V3CS		2807V3CS		
512	Exhaust pipe mounting base	2805R1E1AS	2806R1E1AS	2807R1E1AS	2808R1E1AS	2809R1E1AS

## R2900 Casing & Parts

Pos		R2900	R2901	R2902	R2903	R2904
511	Air inlet box open with filter	2800V2CS				
511	Air inlet box for room sealed	2801V3CS		2802V3CS	2803V3CS	2804V3CS
512	Chimney mounting base	2801R1E1AS		2802R1E1AS	2803R1E1AS	2804R1E1AS

## R2900 Casing & Parts

Pos		R2905(SB)	R2906(SB)	R2907(SB)	R2908(SB)	R2909(SB)
511	Air inlet box open with filter SB	2950V2CS				
511	Air inlet box for room sealed SB	2955V3CS		2957V3CS		
512	Chimney mounting base	2805R1E1AS	2806R1E1AS	2807R1E1AS	2808R1E1AS	2809R1E1AS

## Common Casing & Parts

Pos		ALL R2789 BOILERS
-	Snapper	BSS090
-	Snapper nut	BMV009
-	Air inlet box filter	DDF005
513	Inspection hatch complete	2800R1BS
513	Inspection blind hatch complete	2800R1CS
514	Syphon	DWS010
-	Inspection window complete	DBG010AS
-	Blind plug for measuring point Chimney	FSA001



## R2700 Pumps

Pos		R2700	R2701	R2702	R2703	R2704
-	Grundfos UPS32-60F 400V PN6	RPI216		-		
-	Grundfos UPS32-120F 400V PN6	-	RPI217			
-	Grundfos UPS32-60F 230V PN6/10	RPI215		-		
-	Grundfos UPS32-120F 230V PN6	-	RPI219			

Pos		R2705	R2706	R2707	R2708	R2709
-	Grundfos UPS40-120F 400V PN6/10	RPI222	-			
-	Grundfos UPS50-120F 400V PN6/10	-	RPI226			-
-	Grundfos UPS65-120F 400V PN6/10	-				RPI227
-	Grundfos UPS40-120F 230V PN6/10	RPI224	-			
-	Grundfos UPS50-120F 230V PN6/10	-	RPI225			-
-	Grundfos UPS65-120F 230V PN6/10	-				RPI238

## R2800 Pumps

Pos		R2800	R2801	R2802	R2803	R2804
-	Grundfos UPS32-60F 400V PN6	RPI216		-		
-	Grundfos UPS32-120F 400V PN6	-	RPI217			-
-	Grundfos UPS40-120F 400V PN6/10	-				RPI222
-	Grundfos UPS32-60F 230V PN6/10	RPI215		-		
-	Grundfos UPS32-120F 230V PN6	-	RPI219			-
-	Grundfos UPS40-120F 230V PN6/10	-				RPI224

Pos		R2805	R2806	R2807	R2808	R2809
-	Grundfos UPS40-120F 400V PN6/10	RPI222	-			
-	Grundfos UPS50-120F 400V PN6/10	-	RPI226			-
-	Grundfos UPS65-120F 400V PN6/10	-				RPI227
-	Grundfos UPS40-120F 230V PN6/10	RPI224	-			
-	Grundfos UPS50-120F 230V PN6/10	-	RPI225			-
-	Grundfos UPS65-120F 230V PN6/10	-				RPI238

## R2900(SB) Pumps

Pos		R2900	R2901	R2902	R2903	R2904
-	Grundfos UPS32-60F 400V PN6	RPI216		-		
-	Grundfos UPS32-120F 400V PN6	-		RPI217		-
-	Grundfos UPS40-120F 400V PN6/10			-		RPI222
-	Grundfos UPS32-60F 230V PN6/10	RPI215		-		
-	Grundfos UPS32-120F 230V PN6	-		RPI219		-
-	Grundfos UPS40-120F 230V PN6/10			-		RPI224
-	Grundfos Magna UPE32-100F 230V PN6/10 incl. Genimodule	RPI507	-			
-	Grundfos Magna UPE32-120F 230V PN6/10 incl. Genimodule	-	RPI511			-
-	Grundfos Magna UPE40-120F 230V PN6/10 incl. Genimodule			-		RPI516

Pos		R2905(SB)	R2906(SB)	R2907(SB)	R2908(SB)	R2909(SB)
-	Grundfos UPS40-120F 400V PN6/10	RPI222	-			
-	Grundfos UPS50-120F 400V PN6/10	-	RPI226			-
-	Grundfos UPS65-120F 400V PN6/10			-		RPI227
-	Grundfos UPS40-120F 230V PN6/10	RPI224	-			
-	Grundfos UPS50-120F 230V PN6/10	-	RPI225			-
-	Grundfos UPS65-120F 230V PN6/10			-		RPI238
-	Grundfos Magna UPE40-120F 230V PN6/10 incl. Genimodule	RPI516	-			
-	Grundfos Magna UPE50-60F 230V PN6/10 incl. Genimodule	-	RPI518		-	
-	Grundfos Magna UPE50-120F 230V PN6/10 incl. Genimodule	-	RPI521			
-	Conv. 400-230V Magna UPE50-120F 230V PN6/10 incl. Genimodule	-	RPI521AS			
-	Grundfos Magna UPE65-120F 230V PN6/10 incl. Genimodule			-		RPI526
-	Conv. 400-230VMagna UPE65-120F 230V PN6/10 incl. Genimodule			-		RPI526AS
-	0-10V pump control (geni-bus)	-	DLM001			
-	Grundfos pump programmer	-	EBA070			
-	Grundfos UPS40-30F 400V PN6 for SB Bypass		RPI218			

# Notes

---

A large rectangular area containing 25 horizontal lines for writing notes.

**Service:**

**Rendamax bv**

Hamstraat 76  
6465 AG Kerkrade  
Parkstad nr. 5007

P.O. Box 1035  
6460 BA Kerkrade  
The Netherlands

Tel. (+31) 45 5669 900  
Fax (+31) 45 5669 910

info@rendamax.com  
www.rendamax.com