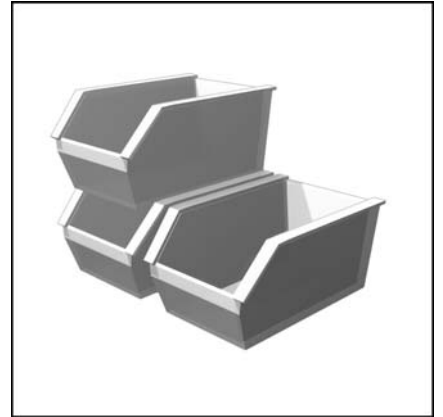


Spare Parts List R18



This spare parts list has been made according to the latest production models. For articles not mentioned in this list, please contact the Rendamax Sales department with the boiler serial number and a part number and/or description of the article.

Edition 11-2007

© 2007 Rendamax B.V.

All rights reserved.

No part of this publication may be copied and/or published by means of printing, photocopying, microfilming, or by electronic means, on tape or in any other manner whatsoever without the prior permission of Rendamax B.V. in writing.

We are engaged in a constant effort to improve our products. As a result of this process, the products may deviate slightly from the descriptions contained in the present document. Rendamax B.V. accepts no liability whatsoever for differences between the products delivered and the information contained in the present document.

Heat Exchangers & Parts

Pos		R18/132	R18/154	R18/180	R18/210	R18/244	R18/280
1.1	Heat exchanger Complete CV	8132W199AS	8154W199AS	8180W199AS	8210W199AS	8244W199AS	8280W199AS
1.1	Heat exchanger Complete Condensamax	8132WB99AS	8154WB99AS	8180WB99AS	8210WB99AS	8244WB99AS	8280WB99AS
1.1	Heat exchanger Complete TÜV	8132W299AS	8154W299AS	8180W299AS	8210W299AS	8244W299AS	8280W299AS
1.1	Heat exchanger Complete Instant pack + Swimmingpool	8132WT99AS	8154WT99AS	8180WT99AS	8210WT99AS	8244WT99AS	8280WT99AS
-	2nd Heat exchanger complete Condensamax	8132WC99AS	8154WC99AS	8180WC99AS	8210WC99AS	8244WC99AS	8280WC99AS
-	Condens Gully complete	8132WC98AS	8154WC98AS	8180WC98AS	8210WC98AS	8244WC98AS	8280WC98AS
-	Spacer 2nd Heat exchanger	8000WC10					
1.2	Flow Header Standard	8000W1E1AS					
1.3	Return Header Standard	8000W1F1AS					
1.4	Reverse Header Standard	8000W1D1AS					
1.2	Flow Header TÜV	8000W1J1AS					
1.3	Return Header TÜV	8000W1K1AS					
1.4	Reverse Header TÜV	8000W1H1AS					
1.2	Flow Header IP	8000WXB1AS					
1.3	Return Header IP	8000WTA1AS					
1.4	Reverse Header IP	8000WXC1AS					
1.2	Flow Header with V-brackets	8000WAE1AS					
1.3	Return Header with V-brackets	8000WAF1AS					
1.4	Reverse Header with V-brackets	8000WAD1AS					
1.5	Support Bridge	8132W1B1	8154W1B1				
-	Support Bridge Wire 3m	GDR002					
1.6	O-Ring	ARO050					
1.7	Spacer	7000W102					
-	Repair Spacer	7000W10S					
1.8	Flange Gasket	ARP070					
-	Silicon Grease (Tube 55 gram)	DLS020					

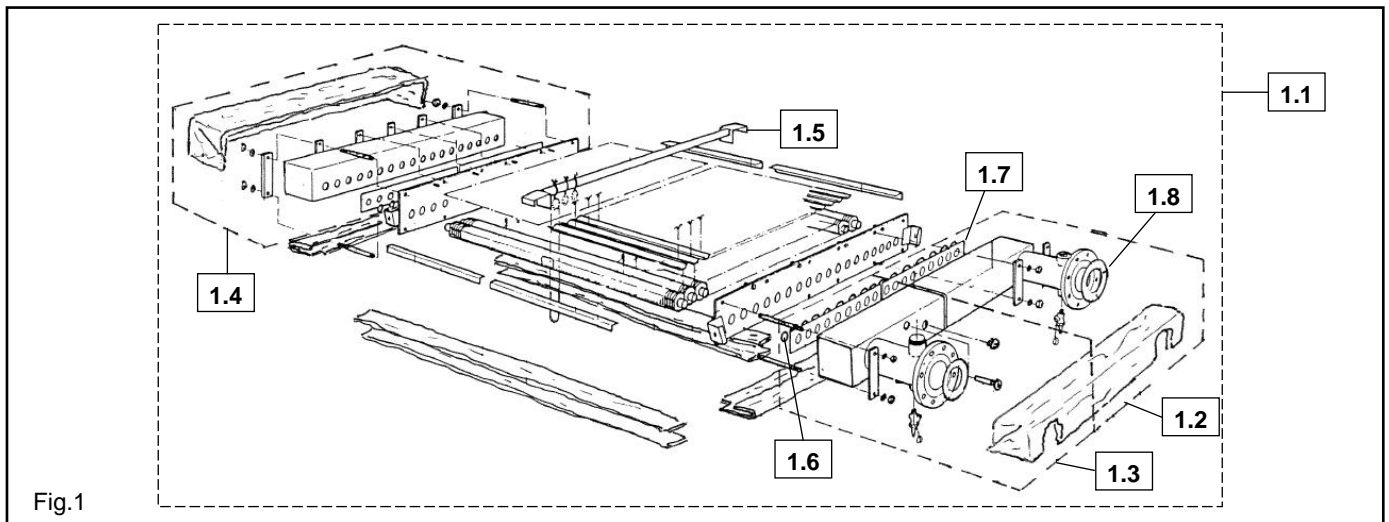


Fig.1

Air Inlet Parts

Pos		R18/132	R18/154	R18/180	R18/210	R18/244	R18/280
-	Airdamper	8132L1K1AS	8154L1K1AS	8180L1K1AS	8210L1K1AS	8244L1K1AS	8280L1K1AS
2.1	Bottom Grid Complete	8132B1TS	8154B1TS	8180B1TS	8210B1TS	8244B1TS	8280B1TS

Burner Parts

Pos		R18/132	R18/154	R18/180	R18/210	R18/244	R18/280
2.2	Injector Standard	66x RIS007	77x RIS007	90x RIS007	105x RIS007	122x RIS007	140x RIS007
2.2	Injector LPG	66x RIS003	77x RIS003	90x RIS003	105x RIS003	122x RIS003	140x RIS003
-	Conversion Kit Nat. Gas to LPG	8132G1PS	8154G1PS	8180G1PS	8210G1PS	8244G1PS	8280G1PS
-	Conversion Kit LPG to Nat. Gas	8132G1AS	8154G1AS	8180G1AS	8210G1AS	8244G1AS	8280G1AS
2.3	Burner Holder Middle Complete	8132B1AS	8154B1AS	8180B1AS	8210B1AS	8244B1AS	8280B1AS
2.4	Burner Down Holder	1x 8132B1BS	1x 8154B1BS	1x 8180B1BS	1x 8210B1BS	1x 8244B1BS	1x 8280B1BS
2.5	Burner Bar	131x RIB002	153x RIB002	179x RIB002	209x RIB002	243x RIB002	279x RIB002
2.6	Pilot Burner Universal	0000B1FS					
-	Burner with 2nd Ionisation	0000B1BA					
-	Alu wire with connectors	GDA001AS					

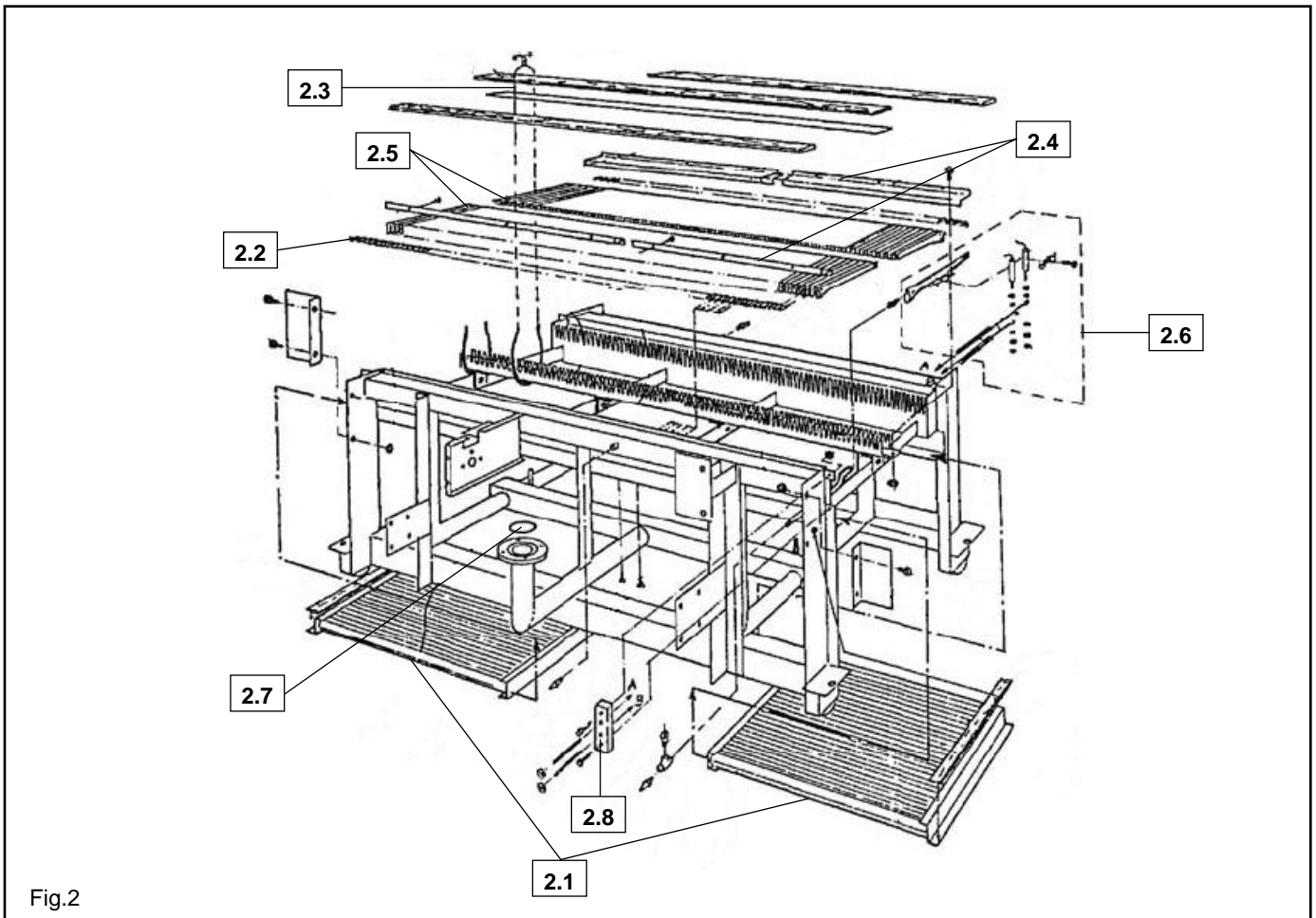


Fig.2

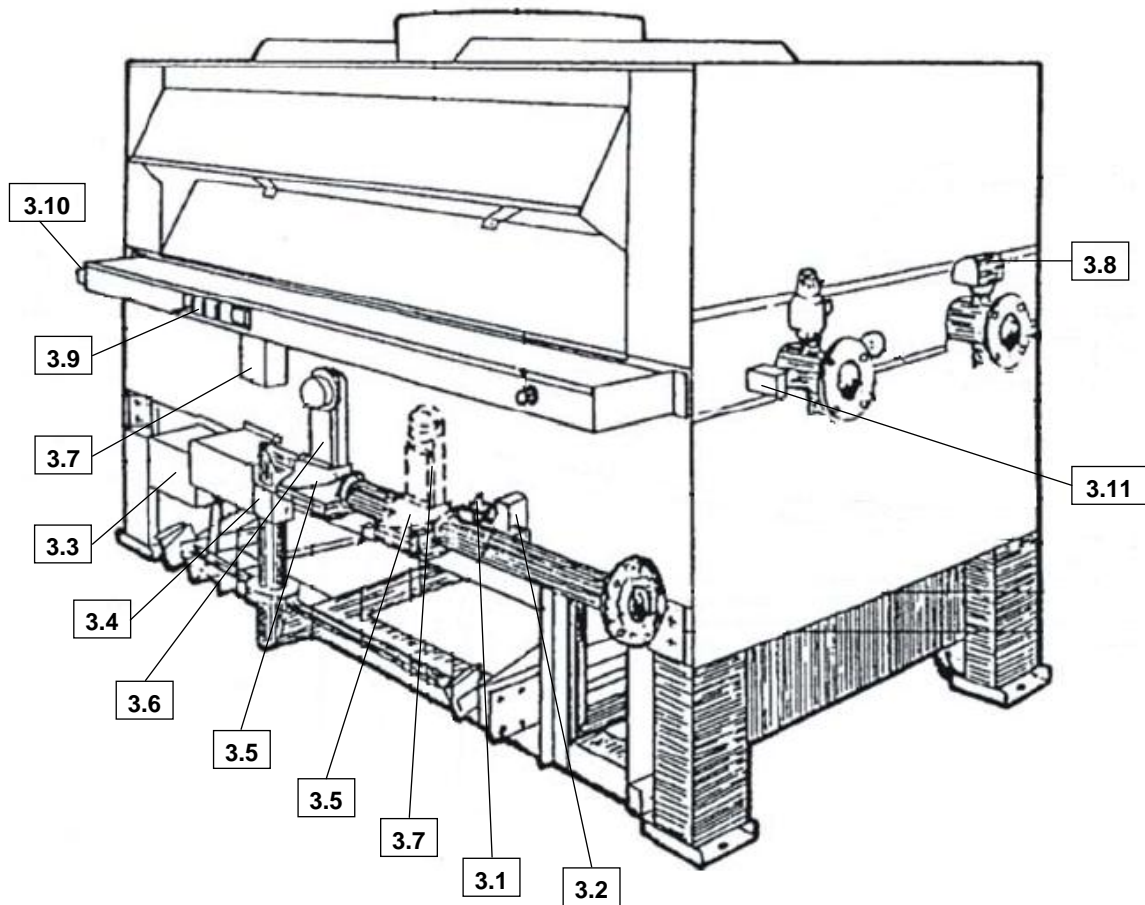


Fig.3

Gastrain Parts

Pos		R18/132	R18/154	R18/180	R18/210	R18/244	R18/280
3.1	Pressure Regulator Pilot Burner	RDG001					
3.2	Pilot Gas Valve	RKS025					
3.3	Servo Motor STM30 with Switch	RSM001					
3.3	Servo Motor STM30Q1563	RMS005					
3.3	Servo Motor pre-wired	RMS005BS					
-	Conversion Kit Honeywell to B&L	8000MHMB					
-	Butterfly valve Lever set	8000G1C1AS					
-	Lever Spring	BVT001					
3.4	Butterfly Valve Housing	8132G1A1			8210G1A1		
-	Butterfly Valve Housing Plug	CKB005			CKB006		
3.4	Butterfly Valve Nat. Gas	7254G102			8210G112		
-	Shaft Nat. Gas	CKA003					

Gastrain Parts

Pos		R18/132	R18/154	R18/180	R18/210	R18/244	R18/280
-	Shaft Quadring	ARQ010					
-	Butterfly Valve Housing Plug Quadring	ARQ030					
-	Quadring Grease	DLS013					
3.4	Butterfly Valve LPG	CKA053			CKA054		
2.7	Gasket Burner Flange - Gastrain	ARO110					
3.5	Gas Valve	2x RKM002			2x RKM003		
3.6	Gas Valve Motor with Pressure Regulator	1x RMK120AS					
3.6	Gas Valve Motor with Pressure Regulator and End Switch	1x RMK016AS					
3.7	Gas Valve Motor open/close	1x RMK040AS					
3.7	Gas Valve Motor open/close with End Switch	1x RMK030AS					
-	Pressure Regulator Spring for LPG	RDV003					
-	Elbow connection 1/8 "x 6mm	FKM005				FKM005	
-	Connection 1/8 "x 6mm	FKM050				FKM050	
-	Connection 1/4 "x 6mm	FKM055				FKM055	
-	Elbow connection 1/4"x6mm	FKM010				FKM010	
-	Alum.tube 6mm	0,5m GBA460				1,0m GBA460	

Electrical parts

Pos		R18/132	R18/154	R18/180	R18/210	R18/244	R18/280
2.8	Isolator	0000B102					
-	Ignition/Ionisation cap	EVD001					
-	Short Ionisation cap	EVD001DS					
-	Terminal for Ionisation cap	EVP040					
-	Cable Ionisation Complete	EVD001CS					
-	Cable 2nd Ionisation Complete	EVD001FS					
-	Cable Ignition Complete	ESB010					
3.7	Burner Control Unit	RBA004					
3.7	Socket for Burner Control Unit	RBV004					
-	Polarity Block	RBF001					
-	Ignition Transformer	ETH005					
-	Power Supply Cable for ETH005	ESK005					
-	Wire Stainless Steel 1.5	GDR002					
3.8	Flow Switch	RSS007					

Electrical parts

Pos		R18/132	R18/154	R18/180	R18/210	R18/244	R18/280
3.8	Flow Switch above 110°				RSS001		
3.9	Power Switch				ELS020		
3.9	Switch				ELS011		
-	Airdamper End Switch				RSE002		
3.9	Signal Lamp Green				ELL010		
3.9	Signal Lamp Red				ELL011		
-	Pressure Gauge 140°				ROM040		
-	Water Pressure Diff. Switch 140°				RSV026		
-	Water Pressure Diff. Switch				RSV021		
-	Gas Pressure Switch DG50B				RSD020		
-	Gas Pressure Switch DG150U				RSD016		
-	Temp. Controller Jumo				RRW030		
3.10	Temp. Controller RWF40				RRW007		
-	Conversion Kit RWF32 to 40				RRW005AS		
-	RWF40 Adjustment Casing				DDR007		
-	Relay Sprecher&Schuh CS4-P-11				ERB001		
-	Relay Sprecher&Schuh CS4-L222				ERH010		
-	Relay Finder 55.34.8.230.0040				ERH031		
-	Relay Finder 55.34.8.230.0040 Socket				ERV011		
3.11	Sensor				RTV002		
-	Pocket Sensor				RTV100		
-	Thermostat EMF1 (Swimmingpool)				RTR054		
-	TTB				RTR057		
-	Thermostat (max.) Jumo KMF 70				RTR055		
-	Thermostat (max.) Imit LS1 95°				RTR105		
-	Seperation Transformer				ETS005		
-	Pressure/Temperature Gauge				ROT100		
-	Fan Kit C18				RVA021AS		
-	Male Connector for B/L Motor				EVS010		
-	Female Connector B/L Motor with cable				EVC010		
-	Female Connector with cable				EVC020		
-	Female Connector				EVC030		
-	Female Connector				EVC040		
-	Male Connector with cable				EVS020		
-	Male Connector				EVS030		
-	Male Connector				EVS050		
-	Complete Connector Set				2000E1AS		
-	Net Filter				ETN051		

Insulation Parts

Pos		R18/132	R18/154	R18/180	R18/210	R18/244	R18/280
-	Insulation Brick Set	8132S1SBAS	8154S1SBAS	8180S1SBAS	8210S1SBAS	8244S1SBAS	8280S1SBAS
-	Brick Set holder boilers < 1990	8132S1SBBS	8154S1SBBS	8180S1SBBS	8210S1SBBS	8244S1SBBS	8280S1SBBS
-	Brick Distance holder longside	2x 2066S108	4x 2034S108	4x 2041S108	4x 2048S108	4x 2056S108	4x 8280S108
-	Insulation 140°	1x GIB090AS					
-	Disassembly Set	DEMON8000					
-	Disassembly Set C18	DEMONCR18					
-	Inspection Window Complete	DBG010AS					

Notes

A large rectangular area containing 25 horizontal lines for writing notes.

Service:

Rendamax bv

Hamstraat 76
6465 AG Kerkrade
Parkstad nr. 5007

P.O. Box 1035
6460 BA Kerkrade
The Netherlands

Tel. (+31) 45 5669 900
Fax (+31) 45 5669 910

info@rendamax.com
www.rendamax.com